



**CABLE & CONDUCTOR
INSTALLATION/PULLING.
CABLE & HOSE SUPPORT.
CABLE PROTECTION
& WELL COMPLETION.**

**MADE EASIER, SAFER
AND MORE DEPENDABLE**

PRODUCT CATALOGUE 2019



CABLE PULLING GRIPS

| | |
|---|----|
| SE Type - Single Eye Grip | 6 |
| DE Type - Double Eye Grip | 7 |
| OS Type - Offset Eye Grip | 7 |
| LU Type - Lace Up Grip | 8 |
| ST Type - Single Eye Double Weave Grip | 8 |
| Flexible & Thimble Eye Grip - Single Eye | 9 |
| Flexible & Thimble Eye Grip - Double Eye | 9 |
| HD Type - Heavy Duty Pulling Grips (colour coded) | 10 |
| HD Type - Heavy Duty Pulling Grips (non colour coded) | 10 |
| MD Type - Medium Duty Pulling Grip | 10 |
| LD Type - Light Duty Pulling Grip | 10 |
| A Type - High Strength Cable Grip | 11 |
| Feed Tube | 11 |
| MU Type - High Strength Cable Grip | 11 |
| Sub-Sea and Marine Grips | 12 |
| R Type - Rotating Multi-Weave Grip | 13 |
| RT Type - Rotating Eye Double Weave Grip | 13 |
| Splicing Grip - Rotating Swivel Link | 14 |
| Splicing Grip - Rotating Barrel | 14 |
| Tri & Quad Pulling Sling | 14 |
| Open Ended Grip | 15 |
| Fibre Optic Cable Grip | 15 |
| NS Type - Single Eye Aramid Cable Grip | 16 |
| ND Type - Double Eye Aramid Cable Grip | 17 |
| NO Type - Offset Eye Aramid Cable Grip | 17 |

CABLE SUPPORT GRIPS

| | |
|--|-------|
| Wind Turbine Cable Grip - Heavy Duty Thimble Offset Eye | 18 |
| Extended Thimble Eye Heavy Duty Stainless Steel Cable Grip | 18 |
| Single Eye Closed Mesh Cable Support Grip | 19 |
| Single Eye Split Mesh Lace Closing Support Grip | 19 |
| Single Eye Split Mesh Rod Closing Cable Support Grip | 19 |
| Double Eye Closed Mesh Cable Support Grip | 20 |
| Double Eye Split Mesh Lace Closing Support Grip | 20 |
| Double Eye Split Mesh Rod Closing Cable Support Grip | 20 |
| Offset Eye Closed Mesh Cable Support Grip | 21 |
| Offset Eye Split Mesh Lace Closing Support Grip | 21 |
| Offset Eye Split Mesh Rod Closing Cable Support Grip | 21 |
| Universal Eye Closed Mesh Cable Support Grip | 22 |
| Universal Eye Split Mesh Lace Closing Support Grip | 22 |
| Universal Eye Split Mesh Rod Closing Cable Support Grip | 22 |
| Heavy Duty Support Grips - Single Eye | 23 |
| Heavy Duty Support Grips - Double Eye | 23 |
| Heavy Duty Support Grips - Single Eye Lace-Up | 23 |
| Heavy Duty Support Grips - Double Eye Lace-Up | 23 |
| Heavy Duty Support Grips - Single Eye Rod Closing | 23 |
| Heavy Duty Support Grips - Double Eye Rod Closing | 23 |
| Bus Drop Grips | 24 |
| Service Drop Grips | 24 |
| Nylon Support Grips For Fibre | 24 |
| Deluxe Cord Grips | 25-26 |
| Dust-Tight Cord Grips | 26 |
| Hooked Eye Conduit Support Cable Support Grip | 27 |
| Conduit Riser Cable Grip - Stainless Steel | 27 |
| Stainless Steel Connector/Box Grip | 28 |
| Heavy Duty Hose Restraint Grips / Whipssocks | 29 |
| Speciality Hose Restraint Grips / Whipssocks | 29 |
| Hose Whip Restraint | 30 |





HARDWARE & ACCESSORIES

| | |
|---|-------|
| Anti Rotational Device | 31 |
| Line Pulling Swivels | 32 |
| Bridge Type Cable Roller | 33 |
| Edge Mount Manhole Lead-in Cable Roller | 33 |
| Cable Drum Rotator | 33 |
| Heavy Duty 214mm Straight Line Cable Roller | 34 |
| Heavy Duty Triple Corner Cable Roller | 34 |
| Edge Mount Manhole Lead-in Cable Roller | 34 |
| Compact 90mm Bridge Type Cable Roller | 35 |
| Feed Tube | 35 |
| C Connectors | 35 |
| Figure of 8 'Swing Link' Connector | 36 |
| 90° Connector and Rope to Rope Connector | 36 |
| Rope to Swivel Connector | 37 |
| Swivel Tester | 37 |
| Fast Banding Tool | 38-39 |
| Light Duty Banding Tool | 38-39 |
| Heavy Duty Banding Tool | 38-39 |
| Single Sheave Running Blocks | 40 |
| Adjustable Array Roller | 40 |
| Reel Lifter | 41 |
| Hand Line Tools | 41 |
| 60 Ton Hydraulic Crimping Tools | 42 |
| Mechanical Crimping Tools | 42 |
| Standard Cable Protectors | 43 |
| Mid-Joint Cable Protectors | 43 |
| Banded Cable Protectors | 43 |
| Centralising Cable Protectors | 44 |
| Bow Spring Centralisers | 44 |
| Rigid Centralisers | 44 |
| Pole Line Suspension Clamps | 45 |

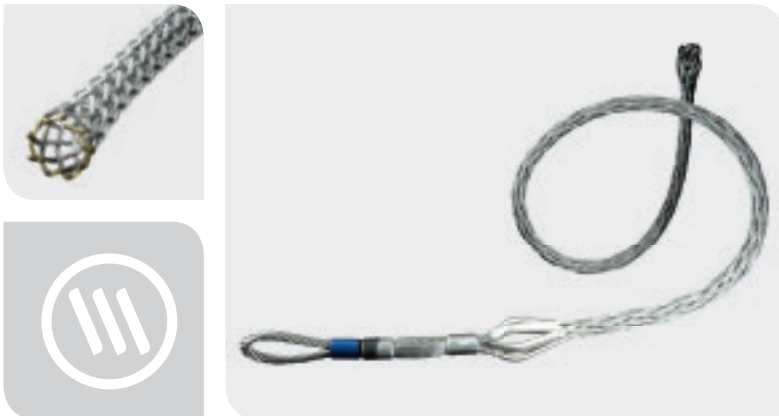
GENERAL ASSEMBLIES

| | |
|--|----|
| Galvanised Wire Rope | 46 |
| Stainless Steel Wire Rope | 46 |
| Galvanised Heart Shaped Thimble to BS464/1 | 47 |
| Electro Galvanised Commercial Pattern Thimble | 47 |
| Stainless Steel Wire Rope Thimble | 47 |
| Electro Galvanized Wire Rope Grip Din 741 | 48 |
| Electro Galvanized Heavy Pattern Wire Rope Grip Din 1142 | 48 |
| Stainless Steel Wire Rope Grip Din 741 | 48 |
| Zinc Plated Simplex Wire Rope Grip | 49 |
| Stainless Steel Duplex Wire Rope Grip | 49 |
| Aluminium Ferrules To Din Specification | 49 |
| Copper Ferrules To Din Specification | 49 |
| Green Pin Standard Bow Shackles G-4161 | 50 |
| Green Pin Standard Bow Shackles G-4163 | 50 |
| Green Pin Standard Dee Shackles G-4151 | 51 |
| Green Pin Standard Dee Shackles G-4153 | 51 |
| Lifting Loops | 52 |
| Lifting Loop - Standard Iso Metric Coarse Thread | 52 |
| Lifting Loop - Metric Coarse (Round Form) Knuckle Thread | 52 |
| Webbing Slings | 53 |
| Round Slings | 53 |
| Polyplait Slings | 54 |
| Wire Rope Slings | 54 |
| Cable Assemblies | 55 |

IMPORTANT TECHNICAL INFORMATION

| | |
|---|----|
| Single and Double Eye Cable Grip Instructions | 56 |
| Lace Up Cable Grip Instructions | 57 |
| Cable Pulling Grips and Cable Support Grips | 58 |

A GLOBAL BUSINESS BUILT ON
QUALITY, INNOVATION, SERVICE
...AND REAL FAMILY TIES



Welcome to Slingco, a world-leading supplier of cable grips and wire rope. Founded by our father, Chris Dykins, more than 40 years ago, Slingco remains a family-owned business but has evolved into an expert design and manufacturing operation, producing high quality cable grips, wire rope assemblies and more - products that are renowned for high performance in quality-critical applications.

Slingco operates out of regional bases in the UK and USA, but you'll find our products around the world, making heavy-duty cable and conductor installation and support a whole lot easier for people working in industries as varied as oil and gas, marine and offshore, public utilities, civil engineering, aerospace, transport, the military, performing arts, vehicle building, construction and more.

You can't make mistakes when you're dealing with products like ours. Too much depends on them. That's why we're obsessive about quality and innovation in design and manufacturing, and why nothing leaves our hands that isn't 100% dependable.

Because we understand exactly what your operation needs, we also know cost is a factor. We keep our prices realistic and hold a vast range of stock for fast - even same day - delivery.

We're brothers, partners and the driving force behind Slingco, but we're only a small part of the whole picture. We've got a fantastic team of skilled people who share our obsession with quality and great service. We're proud of every one of them.

Together, we're going to carry on developing outstanding products. We're going to carry on getting them out to you in record time. And we're going to carry on being the sort of company it's a pleasure to deal with.

NICK DYKINS
CEO, SLINGCO LIMITED

MATT DYKINS
PRESIDENT, SLINGCO AMERICA






INSTALLATION PRODUCTS



QUALITY, SAFETY AND TESTING

Cables, conductors, hoses and their associated supports are by definition, safety-critical components and we recognize that this places us in a real position of responsibility. Hence all our products are designed, manufactured and tested to exacting standards to ensure safe and dependable operation under even the most challenging conditions. We operate a quality management system and are accredited to ISO 9001.

Our aim is to be your preferred supply partner, not just to sell you a product

IN-HOUSE DESIGN

An integral part of our manufacturing facility is our dedicated in-house design engineering team. As well as being focused on our own design and development projects, our engineering team's skills - employing cutting-edge 3D modeling and finite element analysis software - are available to our customers.

From initial product design and manufacture to technical support and customer service, the strength of our business lies in the skills and commitment of our people. They're here to serve you and we're confident that this shows in everything we do.

ALL SLINGCO PRODUCTS ARE DESIGNED, MANUFACTURED AND TESTED TO EXACTING STANDARDS

ENSURING SAFE AND DEPENDABLE OPERATION UNDER EVEN THE MOST CHALLENGING CONDITIONS

If you've a specific requirement you think we could help with, or would just like to make contact for a general discussion, please call us on **+44 [0]1706 855558** or email **sales@slingco.com**.

CABLE PULLING GRIPS

Choose from a comprehensive range of cable and conductor pulling products, each designed and engineered to deliver reliable performance for the installation of cables or pipes through ducts, conduits and trenches. The cable grip adds little to the overall diameter of the cable and 'free passage' is normally available through sheave blocks and pipes.

- Light-medium and heavy duty options
- Precise, hand-woven construction
- Ideal on 'new for old' cable installations
- Swivel links for reduced torque build-up
- Growing range of pulling accessories

SE TYPE - SINGLE EYE GRIP



Ideal for pulling light to medium loads; typical application - 'standard pull' of single or group of cables, where additional support is unnecessary, or if used in conjunction with other cable grips.

| Range | | Lattice Weave | Lattice Length | | Overall Length | | Approx. Break Load | | Slingco Part No. |
|---|---------|---------------|----------------|-------|----------------|-------|--------------------|--------|------------------|
| in | mm | | in | mm | in | mm | lb | kg | |
| SINGLE EYE STANDARD GRIP - GALVANISED | | | | | | | | | |
| 0.25 - 0.50 | 6-13 | Single | 9 | 230 | 12 | 305 | 1,680 | 760 | ZCS0320 |
| 0.50 - 0.75 | 13-19 | Single | 14 | 355 | 17 | 430 | 2,240 | 1,015 | ZCS0321 |
| 0.75 - 1.00 | 19-25 | Single | 16 | 405 | 20 | 510 | 5,600 | 2,540 | ZCS0322 |
| 1.00 - 1.50 | 25-38 | Single | 18 | 455 | 24 | 610 | 7,840 | 3,555 | ZCS0323 |
| 1.50 - 2.00 | 38-50 | Double | 21 | 535 | 29 | 735 | 11,200 | 5,080 | ZCS0324 |
| 2.00 - 2.50 | 50-63 | Double | 24 | 610 | 34 | 865 | 11,200 | 5,080 | ZCS0325 |
| 2.50 - 3.50 | 63-89 | Double | 27 | 685 | 39 | 990 | 13,440 | 6,095 | ZCS0326 |
| 3.50 - 4.50 | 89-115 | Double | 27 | 685 | 39 | 990 | 15,680 | 7,110 | ZCS0327 |
| 4.50 - 5.50 | 115-140 | Double | 27 | 685 | 39 | 990 | 15,680 | 7,110 | ZCS0821 |
| 5.31 - 6.30 | 135-160 | Single | 35.43 | 900 | 54.33 | 1,380 | 44,800 | 20,000 | ZCS3574 |
| 6.33 - 7.48 | 161-190 | Single | 59.05 | 1,500 | 78.74 | 2,000 | 44,800 | 20,000 | ZCS3575 |
| 7.51 - 8.66 | 191-220 | Single | 59.05 | 1,500 | 78.74 | 2,000 | 44,800 | 20,000 | ZCS3576 |
| 8.70 - 9.84 | 221-250 | Single | 59.05 | 1,500 | 78.74 | 2,000 | 44,800 | 20,000 | ZCS3577 |
| 9.88 - 11.81 | 251-300 | Single | 78.74 | 2,000 | 102.36 | 2,600 | 44,800 | 20,000 | ZCS3578 |
| SINGLE EYE STANDARD GRIP - 316 STAINLESS STEEL | | | | | | | | | |
| 0.25 - 0.50 | 6-13 | Single | 9 | 230 | 12 | 305 | 1,344 | 610 | ZCS1380 |
| 0.50 - 0.75 | 13-19 | Single | 14 | 355 | 17 | 430 | 1,792 | 810 | ZCS1523 |
| 0.75 - 1.00 | 19-25 | Single | 16 | 405 | 20 | 510 | 4,480 | 2,030 | ZCS1373 |
| 1.00 - 1.50 | 25-38 | Single | 18 | 455 | 24 | 610 | 6,272 | 2,845 | ZCS1952 |
| 1.50 - 2.00 | 38-50 | Double | 21 | 535 | 29 | 735 | 8,960 | 4,065 | ZCS1381 |
| 2.00 - 2.50 | 50-63 | Double | 24 | 610 | 34 | 865 | 8,960 | 4,065 | ZCS1977 |
| 2.50 - 3.50 | 63-89 | Double | 27 | 685 | 39 | 990 | 10,752 | 4,875 | ZCS1979 |
| 3.50 - 4.50 | 89-115 | Double | 27 | 685 | 39 | 990 | 12,544 | 5,690 | ZCS1980 |
| 4.50 - 5.50 | 115-140 | Double | 27 | 685 | 39 | 990 | 12,544 | 5,690 | ZCS1981 |

DE TYPE - DOUBLE EYE GRIP



Ideal for pulling light to medium loads; the main advantage over the single eye cable grip is the cable being pulled can be passed through the grip, several cable grips can be used to support over a calculated distance.

| Range | | Lattice Weave | Lattice Length | | Overall Length | | Approx. Break Load | | Slingco Part No. |
|---|---------|---------------|----------------|-------|----------------|-------|--------------------|--------|------------------|
| in | mm | | in | mm | in | mm | lb | kg | |
| DOUBLE EYE STANDARD GRIP - GALVANISED | | | | | | | | | |
| 0.25 - 0.50 | 6-13 | Single | 9 | 230 | 12 | 305 | 1,680 | 760 | ZCS0305 |
| 0.50 - 0.75 | 13-19 | Single | 14 | 355 | 17 | 430 | 2,240 | 1,015 | ZCS0306 |
| 0.75 - 1.00 | 19-25 | Single | 16 | 405 | 20 | 510 | 5,600 | 2,540 | ZCS0307 |
| 1.00 - 1.50 | 25-38 | Single | 18 | 455 | 24 | 610 | 7,840 | 3,555 | ZCS0308 |
| 1.50 - 2.00 | 38-50 | Double | 21 | 535 | 29 | 735 | 11,200 | 5,080 | ZCS0309 |
| 2.00 - 2.50 | 50-63 | Double | 24 | 610 | 34 | 865 | 11,200 | 5,080 | ZCS0310 |
| 2.50 - 3.50 | 63-89 | Double | 27 | 685 | 39 | 990 | 13,440 | 6,095 | ZCS0311 |
| 3.50 - 4.50 | 89-115 | Double | 27 | 685 | 39 | 990 | 15,680 | 7,110 | ZCS0312 |
| 4.50 - 5.50 | 115-140 | Double | 27 | 685 | 39 | 990 | 15,680 | 7,110 | ZCS0878 |
| 5.31 - 6.30 | 135-160 | Double | 39.37 | 1,000 | 63 | 1,600 | 44,800 | 20,000 | ZCS3579 |
| 6.33 - 7.48 | 161-190 | Double | 59.05 | 1,500 | 82.67 | 2,100 | 60,480 | 27,000 | ZCS3580 |
| 7.51 - 8.66 | 191-220 | Double | 59.05 | 1,500 | 82.67 | 2,100 | 60,480 | 27,000 | ZCS3581 |
| 8.70 - 9.84 | 221-250 | Double | 59.05 | 1,500 | 82.67 | 2,100 | 60,480 | 27,000 | ZCS3582 |
| 9.88 - 11.81 | 251-300 | Double | 78.75 | 2,000 | 106.29 | 2,700 | 60,480 | 27,000 | ZCS3583 |
| DOUBLE EYE STANDARD GRIP - 316 STAINLESS STEEL | | | | | | | | | |
| 0.25 - 0.50 | 6-13 | Single | 9 | 230 | 12 | 305 | 1,344 | 610 | ZCS0823 |
| 0.50 - 0.75 | 13-19 | Single | 14 | 355 | 17 | 430 | 1,792 | 810 | ZCS1007 |
| 0.75 - 1.00 | 19-25 | Single | 16 | 405 | 20 | 510 | 4,480 | 2,030 | ZCS0931 |
| 1.00 - 1.50 | 25-38 | Single | 18 | 455 | 24 | 610 | 6,272 | 2,845 | ZCS1265 |
| 1.14 - 1.57 | 29-40 | Double | 50 | 1,270 | 62 | 1,575 | 35,000 | 15,625 | ZCS3995 |
| 1.50 - 2.00 | 38-50 | Double | 21 | 535 | 29 | 735 | 8,960 | 4,065 | ZCS1252 |
| 2.00 - 2.50 | 50-63 | Double | 24 | 610 | 34 | 865 | 8,960 | 4,065 | ZCS0319 |
| 2.50 - 3.50 | 63-89 | Double | 27 | 685 | 39 | 990 | 10,752 | 4,875 | ZCS0213 |
| 2.50 - 3.50 | 63-89 | Double | 70 | 1,778 | 80 | 2,032 | 13,500 | 6,027 | ZCS4873 |
| 2.50 - 3.50 | 63-89 | Triple | 56 | 1,422 | 152 | 3,860 | 16,138 | 7,204 | ZCS4596 |
| 3.50 - 4.50 | 89-115 | Double | 27 | 685 | 39 | 990 | 12,544 | 5,690 | ZCS0332 |
| 4.50 - 5.50 | 115-140 | Double | 27 | 685 | 39 | 990 | 12,544 | 5,690 | ZCS1982 |
| 4.50 - 5.50 | 115-140 | Double | 70 | 1,778 | 80 | 2,032 | 13,500 | 6,027 | ZCS4869 |

OS TYPE - OFFSET EYE GRIP



Similar to the SE Type single eye cable grip, but for when offset positioning is required. Excellent for pulling slack out of lines that have been pulled. May also be used for removing underground cables when end of cable is available.

| Range | | Lattice Weave | Lattice Length | | Overall Length | | Approx. Break Load | | Slingco Part No. |
|---|---------|---------------|----------------|-------|----------------|-------|--------------------|-------|------------------|
| in | mm | | in | mm | in | mm | lb | kg | |
| OFFSET EYE STANDARD GRIP - GALVANISED | | | | | | | | | |
| 0.25 - 0.50 | 6-13 | Single | 9 | 230 | 12 | 305 | 1,680 | 760 | ZCS1860 |
| 0.50 - 0.75 | 13-19 | Single | 14 | 355 | 17 | 430 | 2,240 | 1,015 | ZCS1861 |
| 0.75 - 1.00 | 19-25 | Single | 16 | 405 | 20 | 510 | 5,600 | 2,540 | ZCS1862 |
| 1.00 - 1.50 | 25-38 | Single | 18 | 455 | 24 | 610 | 7,840 | 3,555 | ZCS1863 |
| 1.50 - 2.00 | 38-50 | Double | 21 | 535 | 29 | 735 | 11,200 | 5,080 | ZCS1864 |
| 2.00 - 2.50 | 50-63 | Double | 24 | 610 | 34 | 865 | 11,200 | 5,080 | ZCS1865 |
| 2.50 - 3.50 | 63-89 | Double | 27 | 685 | 39 | 990 | 13,440 | 6,095 | ZCS1866 |
| 3.50 - 4.50 | 89-115 | Double | 27 | 685 | 39 | 990 | 15,680 | 7,110 | ZCS1867 |
| 4.50 - 5.50 | 115-140 | Double | 27 | 685 | 39 | 990 | 15,680 | 7,110 | ZCS1974 |
| OFFSET EYE STANDARD GRIP - 316 STAINLESS STEEL | | | | | | | | | |
| 0.25 - 0.50 | 6-13 | Single | 9 | 230 | 12 | 305 | 1,344 | 610 | ZCS1986 |
| 0.50 - 0.75 | 13-19 | Single | 14 | 355 | 17 | 430 | 1,792 | 810 | ZCS1987 |
| 0.75 - 1.00 | 19-25 | Single | 16 | 405 | 20 | 510 | 4,480 | 2,030 | ZCS1988 |
| 1.00 - 1.50 | 25-38 | Single | 18 | 455 | 24 | 610 | 6,272 | 2,845 | ZCS1989 |
| 1.50 - 2.00 | 38-50 | Double | 21 | 535 | 29 | 735 | 8,960 | 4,065 | ZCS1990 |
| 2.00 - 2.50 | 50-63 | Double | 24 | 610 | 34 | 865 | 8,960 | 4,065 | ZCS1991 |
| 2.50 - 3.50 | 63-89 | Double | 27 | 685 | 39 | 990 | 10,752 | 4,875 | ZCS1992 |
| 3.50 - 4.50 | 89-115 | Double | 27 | 685 | 39 | 990 | 12,544 | 5,690 | ZCS1993 |
| 4.50 - 5.50 | 115-140 | Double | 27 | 685 | 39 | 990 | 12,544 | 5,690 | ZCS1994 |
| 5.50 - 7.00 | 140-180 | Double | 24 | 610 | 39 | 990 | 4,500 | 2,009 | ZCS3994 |
| 8.0 - 9.0 | 203-229 | Double | 59 | 1,500 | 74 | 1,880 | 20,000 | 8,928 | ZCS4069 |

LU TYPE - LACE UP GRIP



Ideal for pulling light to medium loads; the LU-type is fitted to the cable being pulled by stitching it together, like a football. Mainly used where a 'typical' cable grip can't be fitted over a connector at the end of a cable. For use in pulling when the end is not accessible. The LU Type is wrapped around the cable, then closed with the wire lace provided. See Lace Up instructions on page 57.

| Range | | Lattice Weave | Lattice Length | | Overall Length | | Approx. Break Load | | Slingco Part No. |
|--|---------|---------------|----------------|-------|----------------|-------|--------------------|--------|------------------|
| in | mm | | in | mm | in | mm | lb | kg | |
| LACE UP STANDARD GRIP - GALVANISED | | | | | | | | | |
| 0.25 - 0.50 | 6-13 | Single | 9 | 230 | 12 | 305 | 1,680 | 760 | ZCS1157 |
| 0.50 - 0.75 | 13-19 | Single | 14 | 355 | 17 | 430 | 2,240 | 1,015 | ZCS0872 |
| 0.75 - 1.00 | 19-25 | Single | 16 | 405 | 20 | 510 | 5,600 | 2,540 | ZCS0871 |
| 1.00 - 1.50 | 25-38 | Single | 18 | 455 | 24 | 610 | 7,840 | 3,555 | ZCS0328 |
| 1.50 - 2.00 | 38-50 | Double | 21 | 535 | 29 | 735 | 11,200 | 5,080 | ZCS0329 |
| 2.00 - 2.50 | 50-63 | Double | 24 | 610 | 34 | 865 | 11,200 | 5,080 | ZCS0330 |
| 2.50 - 3.50 | 63-89 | Double | 27 | 685 | 39 | 990 | 13,440 | 6,095 | ZCS0331 |
| 3.50 - 4.50 | 89-115 | Double | 27 | 685 | 39 | 990 | 15,680 | 7,110 | ZCS0853 |
| 4.50 - 5.50 | 115-140 | Double | 27 | 685 | 39 | 990 | 15,680 | 7,110 | ZCS1109 |
| 4.72 - 5.90 | 120-150 | Triple | 59 | 1,500 | 102 | 2,600 | 32,928 | 14,700 | ZCS4463 |
| 7.90 - 8.70 | 200-220 | Triple | 78 | 2,000 | 102 | 2,600 | 71,680 | 32,000 | ZCS3270 |
| 5.31 - 6.30 | 135-160 | Double | 39.37 | 1,000 | 63 | 1,600 | 38,080 | 17,000 | ZCS3584 |
| 6.33 - 7.48 | 161-190 | Double | 59.05 | 1,500 | 82.67 | 2,100 | 38,080 | 17,000 | ZCS3585 |
| 7.51 - 8.66 | 191-220 | Double | 59.05 | 1,500 | 82.67 | 2,100 | 38,080 | 17,000 | ZCS3586 |
| 8.70 - 9.84 | 221-250 | Double | 59.05 | 1,500 | 82.67 | 2,100 | 38,080 | 17,000 | ZCS3587 |
| 9.88 - 11.81 | 251-300 | Double | 78.74 | 2,000 | 106.29 | 2,700 | 38,080 | 17,000 | ZCS3588 |
| LACE UP STANDARD GRIP - 316 STAINLESS STEEL | | | | | | | | | |
| 0.25 - 0.50 | 6-13 | Single | 9 | 230 | 12 | 305 | 1,344 | 610 | ZCS1983 |
| 0.50 - 0.75 | 13-19 | Single | 14 | 355 | 17 | 430 | 1,792 | 810 | ZCS1796 |
| 0.75 - 1.00 | 19-25 | Single | 16 | 405 | 20 | 510 | 4,480 | 2,030 | ZCS1789 |
| 1.00 - 1.50 | 25-38 | Single | 18 | 455 | 24 | 610 | 6,272 | 2,845 | ZCS1797 |
| 1.50 - 2.00 | 38-50 | Double | 21 | 535 | 29 | 735 | 8,960 | 4,065 | ZCS1984 |
| 2.00 - 2.50 | 50-63 | Double | 24 | 610 | 34 | 865 | 8,960 | 4,065 | ZCS2466 |
| 2.50 - 3.50 | 63-89 | Double | 27 | 685 | 39 | 990 | 10,752 | 4,875 | ZCS0816 |
| 2.75 - 3.44 | 69-87 | Multiple | 55 | 1,390 | 81 | 2,063 | 40,000 | 17,857 | ZCS5094 |
| 3.50 - 4.50 | 89-115 | Double | 27 | 685 | 39 | 990 | 12,544 | 5,690 | ZCS1356 |
| 3.50 - 4.50 | 89-115 | Triple | 27 | 685 | 39 | 990 | 14,012 | 6,300 | ZCS2832 |
| 4.50 - 5.50 | 115-140 | Double | 27 | 685 | 39 | 990 | 12,544 | 5,690 | ZCS1355 |
| 4.50 - 5.50 | 115-140 | Triple | 27 | 685 | 39 | 990 | 16,128 | 7,315 | ZCS2833 |

ST TYPE - SINGLE EYE DOUBLE WEAVE GRIP



This Slingco grip features a double weave construction for medium to heavy pulling applications in underground installations.

| Range | | Lattice Length | Approx. Break Load | | Slingco Part No. | |
|---|--------|----------------|--------------------|--------|------------------|---------|
| in | mm | | lb | kg | | |
| SHORT LENGTH - GALVANISED STEEL | | | | | | |
| 0.50 - 0.62 | 13-16 | 21 | 534 | 4,500 | 2,040 | ZCS2511 |
| 0.62 - 0.75 | 16-19 | 24 | 610 | 5,600 | 2,540 | ZCS2512 |
| 0.75 - 1.00 | 19-25 | 24 | 610 | 6,800 | 3,085 | ZCS2513 |
| 1.00 - 1.50 | 25-38 | 24 | 610 | 9,600 | 4,355 | ZCS2514 |
| 1.50 - 2.00 | 38-50 | 24 | 610 | 16,400 | 7,441 | ZCS2515 |
| 2.00 - 2.50 | 50-63 | 24 | 610 | 18,500 | 8,390 | ZCS2516 |
| 2.50 - 3.00 | 63-76 | 24 | 610 | 24,500 | 11,115 | ZCS2517 |
| 3.00 - 3.50 | 76-89 | 24 | 610 | 24,500 | 11,115 | ZCS2518 |
| 3.50 - 4.00 | 89-102 | 26 | 660 | 31,000 | 14,065 | ZCS2519 |
| LONGER LENGTH - GALVANISED STEEL | | | | | | |
| 0.75 - 1.00 | 19-25 | 36 | 914 | 6,800 | 3,085 | ZCS2520 |
| 1.00 - 1.50 | 25-38 | 36 | 914 | 9,600 | 4,355 | ZCS2521 |
| 1.50 - 2.00 | 38-50 | 36 | 914 | 16,400 | 7,440 | ZCS2522 |
| 2.00 - 2.50 | 50-63 | 36 | 914 | 18,500 | 8,390 | ZCS2523 |
| 2.50 - 3.00 | 63-76 | 36 | 914 | 24,500 | 11,115 | ZCS2524 |
| 3.00 - 3.50 | 76-89 | 36 | 914 | 24,500 | 11,115 | ZCS2777 |
| 3.50 - 4.00 | 89-102 | 40 | 1,010 | 31,000 | 14,065 | ZCS2778 |

FLEXIBLE & THIMBLE EYE GRIP - SINGLE EYE

Designed to fit the typical European range of cables, and with a longer lattice length, these grips are ideal for pulling medium to heavy loads. Made of galvanised steel, this grip has a flexible eye construction – and is also available with a reinforced thimble eye.

| | Range | | Lattice Length | | Overall Length | | Approx. Break Load | | Flexible Eye | Thimble Eye |
|--------|---------|-----------|----------------|----|----------------|------|--------------------|--------|--------------|-------------|
| | mm | in | mm | in | mm | in | kg | lb | | |
| Single | 15-20 | 0.59-0.79 | 1,220 | 48 | 1,358 | 53.5 | 1,240 | 2,730 | ZCS0824 | ZCS3133 |
| Single | 20-30 | 0.79-1.18 | 1,250 | 49 | 1,358 | 53.5 | 1,530 | 3,370 | ZCS0825 | ZCS3134 |
| Double | 20-30 | 0.79-1.18 | 1,250 | 49 | 1,393 | 55 | 1,990 | 4,380 | ZCS0826 | ZCS3135 |
| Single | 30-40 | 1.18-1.57 | 1,250 | 49 | 1,393 | 55 | 2,550 | 5,620 | ZCS0827 | ZCS3136 |
| Double | 30-40 | 1.18-1.57 | 1,250 | 49 | 1,652 | 65 | 3,060 | 6,740 | ZCS0828 | ZCS3137 |
| Double | 40-50 | 1.57-1.97 | 1,500 | 59 | 1,661 | 65.5 | 5,930 | 13,060 | ZCS0829 | ZCS3138 |
| Double | 50-60 | 1.97-2.36 | 1,500 | 59 | 1,750 | 69 | 6,630 | 14,610 | ZCS0830 | ZCS3139 |
| Double | 60-70 | 2.36-2.76 | 1,500 | 59 | 1,750 | 69 | 7,790 | 17,160 | ZCS0831 | ZCS3140 |
| Double | 70-90 | 2.76-3.54 | 1,500 | 59 | 1,750 | 69 | 8,110 | 17,870 | ZCS0832 | ZCS3141 |
| Double | 90-110 | 3.54-4.33 | 1,500 | 59 | 1,750 | 69 | 11,830 | 26,070 | ZCS0833 | ZCS3142 |
| Double | 110-130 | 4.33-5.12 | 1,500 | 59 | 1,750 | 69 | 11,830 | 26,070 | ZCS0834 | ZCS3143 |
| Double | 120-150 | 4.72-5.91 | 1,500 | 59 | 1,750 | 69 | 12,750 | 28,100 | ZCS0835 | ZCS3144 |
| Double | 140-180 | 5.51-7.09 | 1,500 | 59 | 1,750 | 69 | 12,750 | 28,100 | ZCS0836 | ZCS3145 |

| | Range | | Lattice Length | | Approx. Break Load | | Slingco Part No. |
|-----------------------|-------------|-----------|----------------|-------|--------------------|--------|------------------|
| | in | mm | in | mm | lb | kg | |
| SHORTER LENGTH | | | | | | | |
| | 2.36 - 2.75 | 60 - 70 | 43 | 1,096 | 17,450 | 7,790 | ZCS4783 |
| | 2.75 - 3.54 | 70 - 90 | 43 | 1,096 | 18,166 | 8,110 | ZCS4784 |
| | 3.54 - 4.33 | 90 - 110 | 43 | 1,096 | 26,500 | 11,830 | ZCS4785 |
| | 4.33 - 5.11 | 110 - 130 | 43 | 1,096 | 26,500 | 11,830 | ZCS4786 |
| | 4.72 - 5.90 | 120 - 150 | 43 | 1,096 | 28,560 | 12,750 | ZCS4787 |



FLEXIBLE & THIMBLE EYE GRIP - DOUBLE EYE

This grip has a double eye construction allowing the cables being pulled to pass through the grip. Available with flexible eye or reinforced thimble eye.

| | Range | | Lattice Length | | Overall Length | | Approx. Break Load | | Flexible Eye | Thimble Eye |
|--------|---------|-----------|----------------|----|----------------|----|--------------------|--------|--------------|-------------|
| | mm | in | mm | in | mm | in | kg | lb | | |
| Single | 15-20 | 0.59-0.79 | 1,250 | 49 | 1,500 | 59 | 1,240 | 2,730 | ZCS0837 | ZCS3146 |
| Single | 20-30 | 0.79-1.18 | 1,250 | 49 | 1,500 | 59 | 1,530 | 3,370 | ZCS0838 | ZCS3147 |
| Double | 20-30 | 0.79-1.18 | 1,250 | 49 | 1,500 | 59 | 1,990 | 4,380 | ZCS0839 | ZCS3148 |
| Single | 30-40 | 1.18-1.57 | 1,250 | 49 | 1,500 | 59 | 2,550 | 5,620 | ZCS0840 | ZCS3149 |
| Double | 30-40 | 1.18-1.57 | 1,250 | 49 | 1,500 | 59 | 3,060 | 6,740 | ZCS0841 | ZCS3150 |
| Double | 40-50 | 1.57-1.97 | 1,500 | 59 | 1,750 | 69 | 5,930 | 13,060 | ZCS0842 | ZCS3151 |
| Double | 50-60 | 1.97-2.36 | 1,500 | 59 | 1,750 | 69 | 6,630 | 14,610 | ZCS0843 | ZCS3152 |
| Double | 60-70 | 2.36-2.76 | 1,500 | 59 | 1,750 | 69 | 7,790 | 17,160 | ZCS0844 | ZCS3153 |
| Double | 70-90 | 2.76-3.54 | 1,500 | 59 | 1,750 | 69 | 8,110 | 17,870 | ZCS0845 | ZCS3154 |
| Double | 90-110 | 3.54-4.33 | 1,500 | 59 | 1,750 | 69 | 11,830 | 26,070 | ZCS0847 | ZCS3155 |
| Double | 110-130 | 4.33-5.12 | 1,500 | 59 | 1,750 | 69 | 11,830 | 26,070 | ZCS0848 | ZCS3156 |
| Double | 120-150 | 4.72-5.91 | 1,500 | 59 | 1,750 | 69 | 12,750 | 28,100 | ZCS0849 | ZCS3157 |
| Double | 140-180 | 5.51-7.09 | 1,500 | 59 | 1,750 | 69 | 12,750 | 28,100 | ZCS0850 | ZCS3158 |



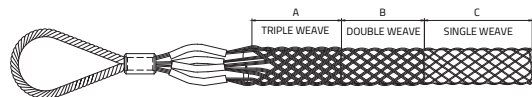
The HD, MD and LD type form a range of conductor grips that are quick and easy to attach and remove, in sizes from 8mm to 48mm, with MBL up to 24,000kgs and WLL 8,000kg. They are suitable for all common conductors, e.g. Horse, Lynx, Upas, Zebra and Araucaria plus earth wires OPGW. The flexible eye connects with Slingco line pulling swivels for trouble-free pulling applications. Made of galvanised steel.

HD TYPE - HEAVY DUTY PULLING GRIPS (COLOUR CODED)



HD
275kV - 400kV

| Range | | Shoulder Colour | Eye wire | | Overall Length | | Lattice Length | | Min Break Load | | Slingco Part No. |
|-----------|-------|-----------------|----------|----|----------------|-------|----------------|-------|----------------|--------|------------------|
| in | mm | | in | mm | in | mm | in | mm | lb | kg | |
| 0.47-0.75 | 12-19 | Green | 0.39 | 10 | 64.80 | 1,647 | 54.00 | 1,372 | 18,739 | 8,500 | ZCS7042 |
| 0.75-0.98 | 19-25 | Red | 0.51 | 13 | 70.50 | 1,790 | 54.36 | 1,379 | 29,762 | 13,500 | ZCS6580 |
| 0.98-1.26 | 25-32 | Blue | 0.51 | 13 | 87.40 | 2,220 | 70.70 | 1,795 | 33,069 | 15,000 | ZCS6413 |
| 1.26-1.50 | 32-38 | Gold | 0.51 | 13 | 88.40 | 2,245 | 71.10 | 1,807 | 39,683 | 18,000 | ZCS6414 |
| 1.50-1.89 | 38-48 | Black | 0.55 | 14 | 93.70 | 2,288 | 73.80 | 1,838 | 48,501 | 24,000 | ZCS10164 |

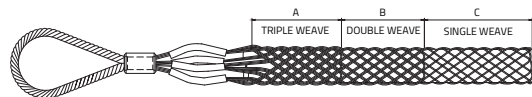


HD TYPE - HEAVY DUTY PULLING GRIPS (NON COLOUR CODED)



HD
275kV - 400kV

| Range | | Eye wire | | Overall Length | | Lattice Length | | Min Break Load | | Slingco Part No. |
|-----------|-------|----------|----|----------------|-------|----------------|-------|----------------|--------|------------------|
| in | mm | in | mm | in | mm | in | mm | lb | kg | |
| 0.47-0.75 | 12-19 | 0.39 | 10 | 64.8 | 1,647 | 54 | 1,372 | 18,739 | 8,500 | ZCS10368 |
| 0.75-0.98 | 19-25 | 0.51 | 13 | 70.5 | 1,790 | 54.36 | 1,379 | 29,762 | 13,500 | ZCS10369 |
| 0.98-1.26 | 25-32 | 0.51 | 13 | 87.4 | 2,220 | 70.7 | 1,795 | 33,069 | 15,000 | ZCS10370 |
| 1.26-1.50 | 32-38 | 0.51 | 13 | 88.4 | 2,245 | 71.1 | 1,807 | 39,683 | 18,000 | ZCS10371 |
| 1.50-1.89 | 38-48 | 0.55 | 14 | 93.7 | 2,288 | 73.8 | 1,838 | 48,501 | 24,000 | ZCS10372 |

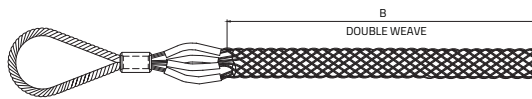


MD TYPE - MEDIUM DUTY PULLING GRIP

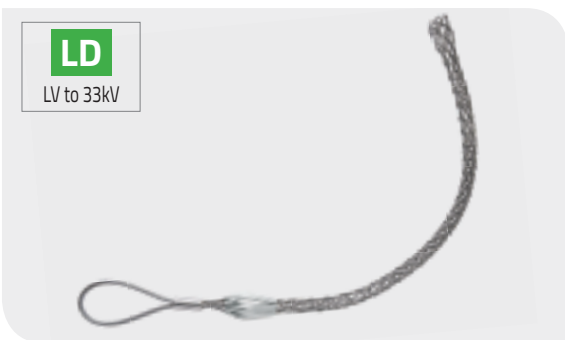


MD
132kV

| Range | | Lattice Length | | Min Break Load | | WLL | | Slingco Part No. |
|-----------|-------|----------------|-----|----------------|-------|-------|-------|------------------|
| in | mm | in | mm | lb | kg | lb | kg | |
| 0.31-0.51 | 8-13 | 24 | 610 | 4,960 | 2,250 | 1,653 | 750 | ZCS7229 |
| 0.47-0.75 | 12-19 | 24 | 610 | 7,452 | 3,380 | 2,484 | 1,127 | ZCS7230 |
| 0.75-0.98 | 19-25 | 24 | 610 | 12,214 | 5,540 | 4,071 | 1,847 | ZCS7231 |
| 0.98-1.26 | 25-32 | 24 | 610 | 21,054 | 9,550 | 7,018 | 3,183 | ZCS7232 |

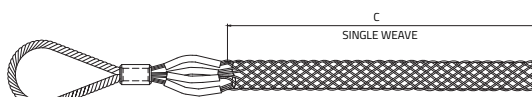


LD TYPE - LIGHT DUTY PULLING GRIP



LD
LV to 33kV

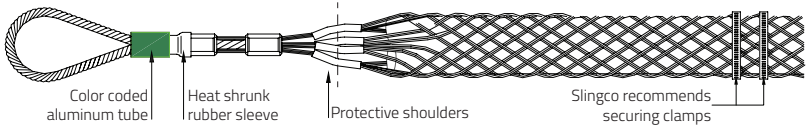
| Range | | Lattice Length | | Min Break Load | | WLL | | Slingco Part No. |
|-----------|-------|----------------|-----|----------------|-------|-------|-------|------------------|
| in | mm | in | mm | lb | kg | lb | kg | |
| 0.40-0.51 | 10-13 | 24 | 610 | 2,469 | 1,120 | 823 | 373 | ZCS7233 |
| 0.51-0.75 | 13-19 | 24 | 610 | 3,704 | 1,680 | 1,235 | 560 | ZCS7234 |
| 0.75-0.98 | 19-25 | 24 | 610 | 4,938 | 2,240 | 1,646 | 747 | ZCS7235 |
| 0.98-1.50 | 25-38 | 24 | 610 | 9,877 | 4,480 | 3,292 | 1,493 | ZCS7236 |



A TYPE - HIGH STRENGTH CABLE GRIP



The strongest grip we produce; can be used for metal wire and synthetic rope pulls. Perfect for overhead transmission and distribution line pulling or any applications with heavy load ratings, e.g. gas, electric railroad, rigging lines and construction pulls. When pulling synthetic rope use a Slingco Feed Tube (see below) to make rope insertion a breeze. To avoid the effects of torsion a line pulling swivel that rotates under load should be used. Galvanised Steel and colour coded for ease of identification.



| Color Code | Rope Diameter Range | | Conductor Diameter Range | | Overall length | | Lattice Length | | Approx. Break Load | | Slingco Part No. |
|------------|---------------------|--------|--------------------------|-------------|----------------|-------|----------------|-------|--------------------|--------|------------------|
| | in | mm | in | mm | in | mm | in | mm | lb | kg | |
| Black | 0.25 - 0.65 | 6-16 | 0.19 - 0.40 | 5-10 | 38 | 965 | 28 | 710 | 7,000 | 3,180 | ZCS1799 |
| Purple | 0.30 - 0.40 | 7.5-10 | 0.25 - 0.40 | 6-10 | 42 | 1,067 | 30 | 760 | 10,000 | 4,530 | ZCS3020 |
| Dark Green | 0.50 - 0.90 | 13-23 | 0.38 - 0.63 | 9.7-16 | 51 | 1,300 | 37 | 940 | 14,000 | 6,360 | ZCS1800 |
| Grey | 0.44 - 0.90 | 11-23 | 0.44 - 0.63 | 11-16 | 110 | 2,800 | 97 | 2,470 | 20,000 | 9,072 | ZCS3522 |
| Red | 0.75 - 1.10 | 19-28 | 0.63 - 0.88 | 16-22 | 74 | 1,880 | 58 | 1,473 | 20,000 | 9,072 | ZCS1801 |
| Blue | 1.00 - 1.50 | 25-38 | 0.88 - 1.13 | 22-29 | 80 | 2,032 | 61 | 1,549 | 30,700 | 13,955 | ZCS1802 |
| Yellow | 1.25 - 1.70 | 32-43 | 1.13 - 1.38 | 29-35 | 112 | 2,845 | 90 | 2,299 | 47,000 | 21,360 | ZCS1803 |
| Aluminium | 1.50 - 2.10 | 38-53 | 1.38 - 1.90 | 35-50 | 119 | 3,020 | 92 | 2,336 | 67,000 | 30,455 | ZCS1804 |
| - | - | - | 2.00 - 2.60 | 50.8 - 66.0 | 109.25 | 2775 | 100 | 2557 | 70,528 | 32,000 | ZCS6712 |
| - | - | - | 2.50 - 3.00 | 63.5-76.2 | 109.25 | 2775 | 100 | 2557 | 70,528 | 32,000 | ZCS7852 |

FEED TUBE

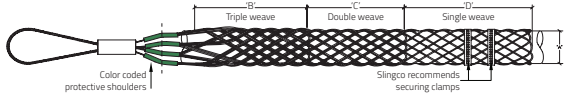
Due to the tight construction of the A Type cable grip, we recommend using the Slingco Feed Tube when inserting cable or rope into the grips. For ease of use, our feed tubes are color-coded to match the A Type Cable grip.



| Tube to fit rope diameter inches (mm) | Feed tube length inches (mm) | Matches Slingco Cable Grip Part No. | Cable grip color | Slingco Part No. |
|---------------------------------------|------------------------------|-------------------------------------|------------------|------------------|
| 0.25 - 0.65 (6 - 16) | 28 (713) | ZCS1799, ZCS3020 | Black | FTU1890 |
| 0.50 - 0.90 (13 - 23) | 40 (1,018) | ZCS1800, ZCS3522 | Dark green | FTU1891 |
| 0.75 - 1.10 (19 - 28) | 52 (1,324) | ZCS1801 | Red | FTU1892 |
| 1.00 - 1.50 (25 - 38) | 67 (1,706) | ZCS1802 | Blue | FTU1893 |
| 1.25 - 1.70 (32 - 43) | 83 (2,113) | ZCS1803 | Yellow | FTU1894 |
| 1.50 - 2.10 (38 - 53) | 96 (2,444) | ZCS1804 | Aluminum | FTU1895 |

MU TYPE - HIGH STRENGTH CABLE GRIP

This grip's triple weave construction is ideal for heavy loads. MU cable grips are color coded for ease of identification. Perfect for stringing overhead transmission and distribution lines and heavy-load pulls of any kind. Use with bare or insulated cable, conductor or wire. The flexible eye connects with Slingco line pulling swivels for trouble free pulling applications. Made of Galvanized Steel.



| Color Code | Range | | Lattice Length | | Approx. Break Load | | Slingco Part No. |
|-------------|-------------|--------|----------------|-------|--------------------|--------|------------------|
| | in | mm | in | mm | lb | kg | |
| Dark Green | 0.25 - 0.50 | 6-12 | 31 | 787 | 7,000 | 3,170 | ZCS1710 |
| Brown | 0.50 - 0.75 | 12-19 | 45 | 1,143 | 10,500 | 4,760 | ZCS1711 |
| Light Blue | 0.75 - 1.00 | 19-25 | 43 | 1,092 | 14,100 | 6,395 | ZCS1712 |
| Gold | 1.00 - 1.25 | 25-32 | 65 | 1,651 | 25,000 | 11,340 | ZCS1713 |
| Black | 1.25 - 1.50 | 32-38 | 59 | 1,499 | 31,000 | 14,065 | ZCS1714 |
| Red | 1.50 - 1.75 | 38-44 | 82 | 2,083 | 31,000 | 14,065 | ZCS1715 |
| Dark Blue | 1.75 - 2.25 | 44-57 | 82 | 2,083 | 49,000 | 22,230 | ZCS1716 |
| Yellow | 2.00 - 2.50 | 50-63 | 72 | 1,829 | 49,000 | 22,230 | ZCS1750 |
| Orange | 2.50 - 3.00 | 63-76 | 72 | 1,829 | 49,000 | 22,230 | ZCS1751 |
| Aluminium | 3.00 - 3.50 | 76-89 | 74 | 1,880 | 49,000 | 22,230 | ZCS1752 |
| Light Green | 3.50 - 4.00 | 89-102 | 76 | 1,930 | 49,000 | 22,230 | ZCS1753 |

SUB-SEA AND MARINE GRIPS



These speciality grips are extremely heavy duty and suitable for large underwater pulls, plus other applications in the oil and gas industries. Galvanised steel construction for heavy duty large diameter pulls. Applications include underwater cable installation. Available in single eye, double eye lace closing and double eye. Sizes range from 4 inches to over 20 inches. Manufactured to order.

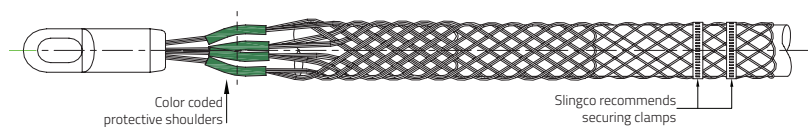
| Range | | Lattice length | | Approx. Break Load | | Slingco Part No. |
|---------------------------|---------|----------------|-------|--------------------|---------|------------------|
| in | mm | in | mm | lb | kg | |
| SINGLE EYE | | | | | | |
| 4 - 5 | 102-127 | 94 | 2,360 | 100,000 | 45,370 | ZCS3525 |
| 5 - 6 | 127-152 | 94 | 2,360 | 105,000 | 47,640 | ZCS3526 |
| 6 - 8 | 152-203 | 94 | 2,360 | 112,000 | 50,815 | ZCS3527 |
| 8 - 10 | 203-255 | 94 | 2,360 | 138,000 | 62,600 | ZCS3528 |
| 10 - 12 | 255-305 | 94 | 2,360 | 138,000 | 62,600 | ZCS3529 |
| 12 - 14 | 305-355 | 94 | 2,360 | 138,000+ | 62,600+ | ZCS3530 |
| 14 - 16 | 355-406 | 118.11 | 2,950 | 138,000+ | 62,600+ | ZCS3531 |
| 16 - 18 | 406-457 | 131.79 | 3,290 | 138,000+ | 62,600+ | ZCS3532 |
| 18 - 20 | 457-508 | 157.48 | 3,940 | 138,000+ | 62,600+ | ZCS3533 |
| 20 - 23 | 508-584 | 196.85 | 4,920 | 138,000+ | 62,600+ | ZCS3534 |
| DOUBLE EYE | | | | | | |
| 4 - 5 | 102-127 | 94 | 2,360 | 123,000 | 55,800 | ZCS3535 |
| 5 - 6 | 127-152 | 94 | 2,360 | 123,000 | 55,800 | ZCS3536 |
| 6 - 8 | 152-203 | 94 | 2,360 | 127,500 | 57,850 | ZCS3537 |
| 8 - 10 | 203-255 | 94 | 2,360 | 156,500 | 71,000 | ZCS3538 |
| 10 - 12 | 255-305 | 94 | 2,360 | 156,500 | 71,000 | ZCS3539 |
| 12 - 14 | 305-355 | 94 | 2,360 | 156,500+ | 71,000 | ZCS3540 |
| 14 - 16 | 355-406 | 118.11 | 2,950 | 156,000+ | 71,000+ | ZCS3541 |
| 16 - 18 | 406-457 | 131.79 | 3,290 | 156,500+ | 71,000+ | ZCS3542 |
| 18 - 20 | 457-508 | 157.48 | 3,940 | 156,500+ | 71,000+ | ZCS3543 |
| 20 - 23 | 508-584 | 196.85 | 4,920 | 156,500+ | 71,000+ | ZCS3544 |
| DOUBLE EYE LACE UP | | | | | | |
| 4 - 5 | 102-127 | 94 | 2,360 | 123,000 | 55,800 | ZCS3545 |
| 5 - 6 | 127-152 | 94 | 2,360 | 123,000 | 55,800 | ZCS3546 |
| 6 - 8 | 152-203 | 94 | 2,360 | 127,500 | 57,850 | ZCS3547 |
| 8 - 10 | 203-255 | 94 | 2,360 | 156,500 | 71,000 | ZCS3548 |
| 10 - 12 | 255-305 | 94 | 2,360 | 156,500 | 71,000 | ZCS3549 |
| 12 - 14 | 305-355 | 94 | 2,360 | 156,500+ | 71,000 | ZCS3550 |
| 14 - 16 | 355-406 | 118.11 | 2,950 | 156,000+ | 71,000+ | ZCS3551 |
| 16 - 18 | 406-457 | 131.79 | 3,290 | 156,500+ | 71,000+ | ZCS3552 |
| 18 - 20 | 457-508 | 157.48 | 3,940 | 156,500+ | 71,000+ | ZCS3553 |
| 20 - 23 | 508-584 | 196.85 | 4,920 | 156,500+ | 71,000+ | ZCS3554 |

R TYPE - ROTATING MULTI-WEAVE GRIP

Like the MU type, the rotating eye grip has a triple weave construction and is colour coded for ease of identification. The steel forged revolving head is ideal for connecting to Slingco swivels. Warning: The Slingco rotating eye does not revolve under load and does not replace the use of a line swivel. Please see page 32 for swivel and grip match-up and safety and technical information. Made of galvanised steel.



| Colour Code | Range | | Lattice Length | | Approx. Break Load | | Slingco Part No. |
|-------------|-------------|--------|----------------|-------|--------------------|--------|------------------|
| | in | mm | in | mm | lb | kg | |
| Dark Green | 0.25 - 0.50 | 6-12 | 31 | 787 | 7,000 | 3,170 | ZCS2177 |
| Brown | 0.50 - 0.75 | 12-19 | 45 | 1,143 | 10,500 | 4,760 | ZCS2178 |
| Light Blue | 0.75 - 1.00 | 19-25 | 43 | 1,092 | 14,100 | 6,395 | ZCS2179 |
| Gold | 1.00 - 1.25 | 25-32 | 65 | 1,651 | 25,000 | 11,340 | ZCS2180 |
| Black | 1.25 - 1.50 | 32-38 | 59 | 1,499 | 31,000 | 14,065 | ZCS2181 |
| Red | 1.50 - 1.75 | 38-44 | 82 | 2,083 | 31,000 | 14,065 | ZCS2182 |
| Dark blue | 1.75 - 2.25 | 44-57 | 82 | 2,083 | 43,000 | 19,510 | ZCS2183 |
| Yellow | 2.00 - 2.50 | 50-63 | 72 | 1,829 | 43,000 | 19,510 | ZCS2779 |
| Orange | 2.50 - 3.00 | 63-76 | 72 | 1,829 | 43,000 | 19,510 | ZCS2780 |
| Aluminium | 3.00 - 3.50 | 76-89 | 74 | 1,880 | 43,000 | 19,510 | ZCS2781 |
| Light Green | 3.50 - 4.00 | 89-102 | 76 | 1,930 | 43,000 | 19,510 | ZCS2782 |



RT TYPE - ROTATING EYE DOUBLE WEAVE GRIP



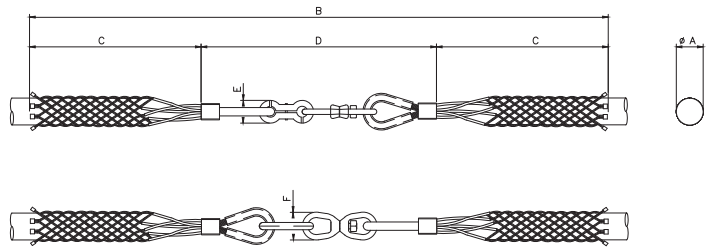
| | Range | | Lattice Length | | Approx. Break Load | | Slingco Part No. |
|--|-------------|---------|----------------|-------|--------------------|--------|------------------|
| | in | mm | in | mm | lb | kg | |
| SHORT LENGTH - GALVANISED STEEL | | | | | | | |
| | 0.50 - 0.62 | 13-16 | 11 | 280 | 5,600 | 2,540 | ZCS2734 |
| | 0.62 - 0.75 | 16-19 | 11 | 280 | 6,800 | 3,085 | ZCS2735 |
| | 0.75 - 1.00 | 19-25 | 20 | 508 | 6,800 | 3,085 | ZCS2736 |
| | 1.00 - 1.50 | 25-38 | 21 | 533 | 12,800 | 5,805 | ZCS2738 |
| | 1.50 - 2.00 | 38-50 | 25 | 635 | 16,400 | 7,440 | ZCS2739 |
| | 2.00 - 2.50 | 50-63 | 26 | 660 | 27,200 | 12,340 | ZCS2740 |
| | 2.50 - 3.00 | 63-76 | 28 | 711 | 33,000 | 14,970 | ZCS2741 |
| | 3.00 - 3.50 | 76-89 | 30 | 762 | 41,000 | 18,600 | ZCS2742 |
| | 3.50 - 4.00 | 89-102 | 32 | 813 | 43,000 | 19,510 | ZCS2743 |
| | 4.00 - 4.50 | 102-115 | 33 | 838 | 43,000 | 19,510 | ZCS2744 |
| STANDARD - LONGER LENGTH - GALVANISED STEEL | | | | | | | |
| | 0.50 - 0.62 | 13-16 | 16 | 406 | 5,600 | 2,540 | ZCS2745 |
| | 0.62 - 0.75 | 16-19 | 16 | 406 | 6,800 | 4,355 | ZCS2746 |
| | 0.75 - 1.00 | 19-25 | 32 | 812 | 9,600 | 3,085 | ZCS2747 |
| | 1.25 - 1.50 | 25-38 | 33 | 838 | 16,400 | 5,805 | ZCS2748 |
| | 1.50 - 2.00 | 38-50 | 34 | 863 | 16,400 | 7,440 | ZCS2749 |
| | 2.00 - 2.50 | 50-63 | 36 | 914 | 27,300 | 12,340 | ZCS2750 |
| | 2.50 - 3.00 | 63-76 | 38 | 965 | 33,000 | 14,970 | ZCS2751 |
| | 3.00 - 3.50 | 76-89 | 39 | 990 | 41,000 | 18,600 | ZCS2752 |
| | 3.50 - 4.00 | 89-102 | 41 | 1,041 | 43,000 | 19,510 | ZCS2753 |
| | 4.00 - 4.50 | 102-115 | 42 | 1,066 | 43,000 | 19,510 | ZCS2754 |
| | 4.50 - 5.00 | 115-127 | 58 | 1,473 | 43,000 | 19,510 | ZCS2755 |
| | 5.00 - 6.00 | 127-153 | 60 | 1,524 | 43,000 | 19,510 | ZCS2756 |
| | 6.00 - 7.00 | 153-178 | 66 | 1,676 | 43,000 | 19,510 | ZCS2757 |

Double weave construction for medium to heavy pulling applications in underground installations. Additionally its steel forged revolving head is ideal for connecting to Slingco swivels. Warning: The Slingco RT Type Rotating Eye Grip does not revolve under load. The rotating eye does not replace the need for a swivel. Please see page 32 for swivel and grip match-up and safety and technical information.

SPLICING GRIP - ROTATING SWIVEL LINK



Slingco Rotating Swivel Link Grips are perfect for stringing replacement wire and cable on equipment and in drilling or rigging systems. Not recommended for use in overhead stringing applications. Use the existing cable as a pull wire to string the replacement cable. These grips are available with differently sized grips for each side. Call for assistance in selecting the proper grip. Link opens for easy installation and adjustment. Made of galvanized steel.

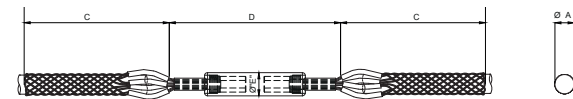


| Range | | Ø A Nominal | | B Length | | C Length | | D Length | | E Length | | F Length | | Approx. Break Load | | Slingco Part No. |
|-------------|--------|-------------|------|----------|-------|----------|-------|----------|-----|----------|----|----------|----|--------------------|-------|------------------|
| in | mm | in | mm | in | mm | in | mm | in | mm | in | mm | in | mm | lb | kg | |
| 0.25 - 0.50 | 6-13 | 0.37 | 9.5 | 100.0 | 2,542 | 44.3 | 1,127 | 11.3 | 288 | 0.87 | 22 | 1.25 | 32 | 2,400 | 1,089 | ZCS3493 |
| 0.50 - 1.00 | 13-25 | 0.75 | 19 | 103.2 | 2,621 | 45.7 | 1,160 | 11.8 | 301 | 1.38 | 35 | 1.25 | 32 | 3,526 | 1,599 | ZCS3494 |
| 1.00 - 1.50 | 25-38 | 1.25 | 32 | 104.5 | 2,654 | 45.7 | 1,160 | 13.1 | 334 | 1.61 | 41 | 1.61 | 41 | 5,070 | 2,300 | ZCS3495 |
| 1.50 - 2.00 | 38-51 | 1.75 | 44.5 | 105.2 | 2,673 | 45.7 | 1,160 | 13.9 | 353 | 1.61 | 41 | 2.0 | 51 | 8,000 | 3,629 | ZCS3496 |
| 2.00 - 2.75 | 51-70 | 2.38 | 60.5 | 105.2 | 2,673 | 45.7 | 1,160 | 13.9 | 353 | 1.61 | 41 | 2.0 | 51 | 10,000 | 4,537 | ZCS3497 |
| 2.75 - 3.50 | 70-90 | 3.15 | 80 | 105.2 | 2,673 | 45.7 | 1,160 | 13.9 | 353 | 1.61 | 41 | 2.0 | 51 | 10,000 | 4,537 | ZCS3498 |
| 3.50 - 4.25 | 89-108 | 3.87 | 98.5 | 108.4 | 2,753 | 45.7 | 1,200 | 13.9 | 353 | 1.61 | 41 | 2.0 | 51 | 10,000 | 4,537 | ZCS3499 |

SPLICING GRIP - ROTATING BARREL



Slingco Rotating Barrel Swivel grips have a high capacity swivel that travels smoothly when being strung in straight line pulling.

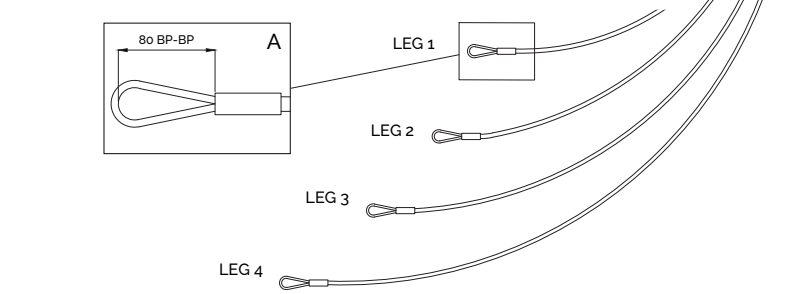


| Range | | Ø A Nominal | | B Length | | C Length | | D Length | | Ø E | | Approx. Break Load | | Slingco Part No. |
|-----------|--------|-------------|------|----------|-------|----------|-------|----------|-----|-----|------|--------------------|--------|------------------|
| in | mm | in | mm | in | mm | in | mm | in | mm | in | mm | lb | kg | |
| 0.25-0.50 | 6-13 | 0.37 | 9.5 | 66.1 | 1,680 | 29.7 | 755 | 6.7 | 170 | 0.9 | 23 | 4,400 | 1,964 | ZCS3505 |
| 0.50-1.00 | 13-25 | 0.75 | 19 | 87.8 | 2,230 | 40.0 | 1,015 | 7.9 | 200 | 1.0 | 25.4 | 7,400 | 3,304 | ZCS3506 |
| 1.00-1.50 | 25-38 | 1.25 | 32 | 79.9 | 2,030 | 35.2 | 895 | 9.5 | 240 | 1.4 | 36 | 10,000 | 4,530 | ZCS3507 |
| 1.50-2.00 | 38-51 | 1.75 | 44.5 | 72.0 | 1,830 | 31.3 | 795 | 9.5 | 240 | 1.4 | 36 | 12,000 | 5,357 | ZCS3508 |
| 2.00-2.75 | 51-70 | 2.38 | 60.5 | 85.8 | 2,180 | 37.0 | 940 | 11.8 | 300 | 1.6 | 41 | 16,000 | 7,142 | ZCS3509 |
| 2.75-3.50 | 70-90 | 3.15 | 80 | 107.5 | 2,730 | 47.0 | 1,195 | 13.3 | 340 | 1.9 | 48.5 | 20,000 | 8,928 | ZCS3510 |
| 3.50-4.25 | 89-108 | 3.87 | 98.5 | 104.3 | 2,650 | 44.5 | 1,130 | 15.3 | 390 | 1.9 | 48.5 | 24,000 | 10,714 | ZCS3511 |

TRI & QUAD PULLING SLING

This staggered pulling sling is designed to allow the pulling of multiple conductors at the same time while minimizing the overall diameter of your pulling bundle. These pulling slings come in a three leg or four leg versions. One should use a swivel for each leg and at the head of the sling to release torsion and allow the conductors to rotate freely. The suggested swivels are listed with each model.

| Leg 1 Length | | Leg 2 Length | | Leg 3 Length | | Leg 4 Length | | Head of Sling Swivel Suggestion | Leg Swivel Suggestion | Slingco Part No. |
|--------------|-----|--------------|-----|--------------|------|--------------|------|---------------------------------|-----------------------|------------------|
| in | mm | in | mm | in | mm | in | mm | | | |
| 20.5 | 520 | 34.65 | 880 | 52.75 | 1340 | n/a | n/a | ZSW2092 | ZSW2091 | ZSH2264 |
| 20.5 | 520 | 34.65 | 880 | 52.75 | 1340 | 69.3 | 1760 | ZSW2092 | ZSW2092 | ZSH2265 |



OPEN ENDED GRIP



| Range | | Lattice Weave | Lattice Length | | Approx. Break Load | | Slingco Part No. |
|---|---------|---------------|----------------|-------|--------------------|-------|------------------|
| in | mm | | in | mm | lb | kg | |
| OPEN ENDED STANDARD GRIP - GALVANIZED | | | | | | | |
| 0.25 - 0.50 | 6-13 | Single | 15 | 380 | 1,680 | 760 | ZCS0313 |
| 0.25 - 0.50 | 6-13 | Double | 22 | 559 | 3,500 | 1,588 | ZCS6420 |
| 0.50 - 0.75 | 13-19 | Single | 24 | 610 | 2,240 | 1,015 | ZCS0314 |
| 0.50 - 0.75 | 13-19 | Double | 30 | 762 | 4,500 | 2,040 | ZCS6421 |
| 0.50 - 0.75 | 13-19 | Multi | 70 | 1,779 | 7,500 | 3,400 | ZCS6425 |
| 0.75 - 1.00 | 19-25 | Single | 28 | 710 | 5,600 | 2,540 | ZCS0315 |
| 0.75 - 1.00 | 19-25 | Double | 30 | 762 | 8,000 | 3,630 | ZCS6422 |
| 0.75 - 1.00 | 19-25 | Multi | 80 | 2,032 | 11,800 | 5,352 | ZCS6426 |
| 1.00 - 1.50 | 25-38 | Single | 32 | 815 | 7,840 | 3,555 | ZCS0316 |
| 1.00 - 1.50 | 25-38 | Double | 36 | 915 | 10,000 | 4,537 | ZCS6423 |
| 1.00 - 1.50 | 25-38 | Multi | 90 | 2,285 | 20,000 | 9,070 | ZCS6427 |
| 1.50 - 2.00 | 38-50 | Double | 36 | 915 | 11,200 | 5,080 | ZCS0317 |
| 2.00 - 2.50 | 50-63 | Double | 42 | 1,065 | 11,200 | 5,080 | ZCS0318 |
| 2.50 - 3.50 | 63-89 | Double | 48 | 1,220 | 13,440 | 6,095 | ZCS1158 |
| 3.50 - 4.50 | 89-115 | Double | 54 | 1,370 | 15,680 | 7,110 | ZCS1159 |
| 4.25 - 4.88 | 108-124 | Triple | 55 | 1,400 | 19,500 | 8,847 | ZCS6424 |
| 4.50 - 5.50 | 115-140 | Double | 54 | 1,370 | 15,680 | 7,110 | ZCS1975 |
| OPEN ENDED STANDARD GRIP - 316 STAINLESS STEEL | | | | | | | |
| 0.25 - 0.50 | 6-13 | Single | 15 | 380 | 1,344 | 610 | ZCS1995 |
| 0.50 - 0.75 | 13-19 | Single | 24 | 610 | 1,792 | 810 | ZCS1996 |
| 0.75 - 1.00 | 19-25 | Single | 28 | 710 | 4,480 | 2,030 | ZCS1997 |
| 1.00 - 1.50 | 25-38 | Single | 32 | 815 | 6,272 | 2,845 | ZCS1998 |
| 1.50 - 2.00 | 38-50 | Double | 36 | 915 | 8,960 | 4,065 | ZCS1999 |
| 2.00 - 2.50 | 50-63 | Double | 42 | 1,065 | 8,960 | 4,065 | ZCS2000 |
| 2.50 - 3.50 | 63-89 | Double | 48 | 1,220 | 10,752 | 4,875 | ZCS2001 |
| 3.50 - 4.50 | 89-115 | Double | 54 | 1,370 | 12,544 | 5,690 | ZCS2002 |
| 4.50 - 5.50 | 115-140 | Double | 54 | 1,370 | 12,544 | 5,690 | ZCS2003 |

Ideal for joining two cables to form a continuous loop. Typical application: replacement of lift cables, where the old cable would be attached to the new one, and the cable then fed around with ease. Also used to temporarily splice cable and conductor where torsion forces are NOT an issue. Torsion should be released prior to splicing. Where torsion is present a swivel and two grips should be used.

FIBRE OPTIC CABLE GRIP



| Range | | Lattice Length | | Overall Length | | Approx. Break Load | | Slingco Part No. |
|-------------|-------------|----------------|-----|----------------|-----|--------------------|-------|------------------|
| in | mm | in | mm | in | mm | lb | kg | |
| 0.11 - 0.23 | 2.5 - 5.6 | 11 | 265 | 18 | 455 | 950 | 431 | ZCS2008 |
| 0.21 - 0.36 | 5.3 - 9.2 | 15 | 370 | 22 | 560 | 1,650 | 748 | ZCS2009 |
| 0.32 - 0.49 | 8.1 - 12.5 | 19 | 470 | 27 | 690 | 2,200 | 998 | ZCS2010 |
| 0.42 - 0.62 | 10.7 - 15.8 | 20 | 515 | 29 | 735 | 2,750 | 1,247 | ZCS2011 |
| 0.53 - 0.75 | 13.5 - 19.1 | 23 | 595 | 32 | 815 | 3,700 | 1,678 | ZCS2012 |
| 0.64 - 0.88 | 16.3 - 22.4 | 25 | 645 | 34 | 865 | 4,250 | 1,928 | ZCS2013 |
| 0.75 - 1.00 | 19.1 - 25.5 | 27 | 720 | 37 | 940 | 4,250 | 1,928 | ZCS2014 |

Dual weave design from galvanised wire rope. Used for the installation of fibre optic cables for either overhead or underground applications. Made of galvanised steel.

SLINGCO NON-METALLIC ARAMID CABLE GRIPS

FOR PULLING CABLE IN MANY INDUSTRIAL & COMMERCIAL PROJECTS



Slingco's Non-Metallic Aramid Cable Grip Features:

- Break loads similar to steel cable grips
- Lightweight
- No more frayed grip wires
- UV Resistant and strong enough to last in salt water, pollutants, and underground
- We can create custom grips to meet your specifications

Slingco's line of Non-Metallic Aramid Cable Grips are ideal for use in fiber optic cable installation operations, offshore applications, or for a multitude of uses in the utilities industry.

These grips are made of a high-strength, non-metallic aramid fiber, with UV protective coating, and now feature an improved weight to break ratio. They are suitable for pulling both single cable and multiple cable bundles.

Thanks to the non-metallic material, these grips are easy to work with even without gloves. The woven mesh material also offers

a non-metallic, non-conductive alternative to steel grips.

We have many different styles of Non-Metallic Aramid Cable Grips for your project, such as Single Eye, Double Eye, Offset Eye, Lace Up, Mining Grips, and our new Single Eye Double Weave Grips made of ultra flex aramid material. We can also work with you to customize an Aramid Cable Grip to match any particular project specifications.

Call your Slingco Account Manager today and they will help you select the right grip for your project!

NS TYPE - SINGLE EYE ARAMID CABLE GRIP



Single Eye Single Weave Non-Metallic Cable Grip



Single Eye Double Weave Non-Metallic Cable Grip

| Range | | Lattice Length | | Approx. Break Load | | Slingco Part No. |
|---|-----------|----------------|-------|--------------------|-------|------------------|
| in | mm | in | mm | lb | kg | |
| SINGLE EYE SINGLE WEAVE NON-METALLIC CABLE GRIP | | | | | | |
| 0.38 - 0.75 | 10 - 20 | 24 | 600 | 2,460 | 1,115 | ZCS1040 |
| 0.75 - 1.25 | 20 - 30 | 24 | 600 | 3,580 | 1,620 | ZCS1022 |
| 1.00 - 1.50 | 25 - 36 | 24 | 600 | 3,580 | 1,620 | ZCS2923 |
| 1.25 - 1.50 | 30 - 40 | 24 | 600 | 4,920 | 2,230 | ZCS1041 |
| 1.50 - 2.00 | 40 - 50 | 24 | 600 | 5,820 | 2,640 | ZCS1042 |
| SINGLE EYE DOUBLE WEAVE NON-METALLIC CABLE GRIP | | | | | | |
| 1.25 - 1.50 | 30 - 40 | 24 | 600 | 9,860 | 4,470 | ZCS1023 |
| 1.50 - 2.00 | 40 - 50 | 24 | 600 | 11,880 | 5,390 | ZCS1024 |
| 2.00 - 2.50 | 50 - 65 | 24 | 600 | 15,900 | 7,210 | ZCS1179 |
| 2.50 - 3.00 | 65 - 76 | 24 | 600 | 15,900 | 7,210 | ZCS1180 |
| 3.00 - 4.00 | 76 - 100 | 24 | 600 | 15,900 | 7,210 | ZCS1181 |
| 4.00 - 5.00 | 102 - 127 | 120 | 3,048 | 15,900 | 7,210 | ZCS4079 |
| Range | | Color code | | Approx. Break Load | | Slingco Part No. |
| in | mm | | | lb | kg | |
| ULTRA-FLEX SINGLE EYE DOUBLE WEAVE NON-METALLIC CABLE GRIP | | | | | | |
| 0.63 - 0.75 | 16 - 19 | Yellow | | 5,000 | 2,267 | ZCS09336 |
| 0.75 - 1.00 | 19 - 25 | Red | | 6,000 | 2,721 | ZCS09337 |
| 1.00 - 1.25 | 25 - 31 | Blue | | 6,000 | 2,721 | ZCS09338 |
| 1.25 - 1.50 | 31 - 38 | White | | 6,000 | 2,721 | ZCS09339 |

ND TYPE - DOUBLE EYE ARAMID CABLE GRIP



| Range | | Lattice Length | | Approx. Break Load | | Slingco Part No. |
|--|-----------|----------------|-------|--------------------|-------|------------------|
| in | mm | in | mm | lb | kg | |
| DOUBLE EYE SINGLE WEAVE NON-METALLIC GRIP | | | | | | |
| 0.38 - 0.75 | 10 - 20 | 24 | 600 | 2,460 | 1,115 | ZCS1148 |
| 0.75 - 1.25 | 20 - 30 | 24 | 600 | 3,580 | 1,620 | ZCS1176 |
| 1.00 - 1.50 | 25 - 36 | 24 | 600 | 3,580 | 1,620 | ZCS2922 |
| 1.25 - 1.50 | 30 - 40 | 24 | 600 | 4,920 | 2,230 | ZCS1177 |
| 1.50 - 2.00 | 40 - 50 | 24 | 600 | 5,820 | 2,640 | ZCS1178 |
| DOUBLE EYE DOUBLE WEAVE NON-METALLIC GRIP | | | | | | |
| 1.25 - 1.50 | 30 - 40 | 24 | 600 | 9,860 | 4,470 | ZCS1182 |
| 1.50 - 2.00 | 40 - 50 | 24 | 600 | 11,880 | 5,390 | ZCS1183 |
| 2.00 - 2.50 | 50 - 65 | 24 | 600 | 15,900 | 7,210 | ZCS1184 |
| 2.50 - 3.00 | 65 - 76 | 24 | 600 | 15,900 | 7,210 | ZCS1185 |
| 3.00 - 4.00 | 76 - 100 | 24 | 600 | 15,900 | 7,210 | ZCS1186 |
| 4.00 - 5.00 | 102 - 127 | 60.6 | 1,540 | 15,900 | 7,210 | ZCS3813 |

NO TYPE - OFFSET EYE ARAMID CABLE GRIP



Single Offset Eye Single Weave Non-Metallic Grip

| Range | | Lattice Length | | Approx. Break Load | | Slingco Part No. |
|--|-----------|----------------|------|--------------------|-------|------------------|
| in | mm | in | mm | lb | kg | |
| SINGLE OFFSET EYE SINGLE WEAVE NON-METALLIC GRIP | | | | | | |
| 0.38 - 0.75 | 10 - 20 | 24 | 600 | 2,460 | 1,115 | ZCS2810 |
| 0.75 - 1.25 | 20 - 30 | 24 | 600 | 3,580 | 1,620 | ZCS2811 |
| 1.00 - 1.50 | 25 - 36 | 24 | 600 | 3,580 | 1,620 | ZCS2921 |
| 1.25 - 1.50 | 30 - 40 | 24 | 600 | 4,920 | 2,230 | ZCS2812 |
| 1.50 - 2.00 | 40 - 50 | 24 | 600 | 5,820 | 2,640 | ZCS2813 |
| SINGLE OFFSET EYE DOUBLE WEAVE NON-METALLIC GRIP | | | | | | |
| 0.50 - 1.00 | 13 - 25 | 39 | 990 | 8,093 | 3,671 | ZCS09342 |
| 1.25 - 1.50 | 30 - 40 | 24 | 600 | 9,860 | 4,470 | ZCS2814 |
| 1.50 - 2.00 | 40 - 50 | 24 | 600 | 11,880 | 5,390 | ZCS2815 |
| 2.00 - 2.50 | 50 - 65 | 24 | 600 | 15,900 | 7,210 | ZCS2816 |
| 2.50 - 3.00 | 64 - 76 | 39 | 990 | 15,000 | 6,696 | ZCS6005 |
| 2.50 - 3.00 | 64 - 76 | 30 | 762 | 5,000 | 2,268 | ZCS9000 |
| 2.50 - 3.00 | 64 - 76 | 24 | 600 | 15,900 | 7,210 | ZCS2817 |
| 3.00 - 4.00 | 76 - 100 | 24 | 600 | 15,900 | 7,210 | ZCS2818 |
| 3.00 - 4.00 | 76 - 100 | 24 | 610 | 15,000 | 6,696 | ZCS6006 |
| 4.00 - 5.00 | 102 - 127 | 24 | 610 | 15,000 | 6,696 | ZCS6007 |
| SINGLE OFFSET EYE LACE UP NON-METALLIC CABLE GRIP | | | | | | |
| 0.62 - 1.00 | 15 - 25 | 59 | 1498 | 13,000 | 5,896 | ZCS09323 |
| DOUBLE OFFSET EYE NON-METALLIC CABLE GRIP | | | | | | |
| 2.50 - 3.00 | 64 - 76 | 39 | 990 | 8,000 | 3,629 | ZCS8176 |
| 2.50 - 3.50 | 64 - 89 | 36 | 914 | 9,000 | 4,083 | ZCS09959 |
| 3.00 - 4.00 | 76 - 101 | 33 | 838 | 9,000 | 4,082 | ZCS6823 |



Single Offset Eye Lace Up Non-Metallic Cable Grip



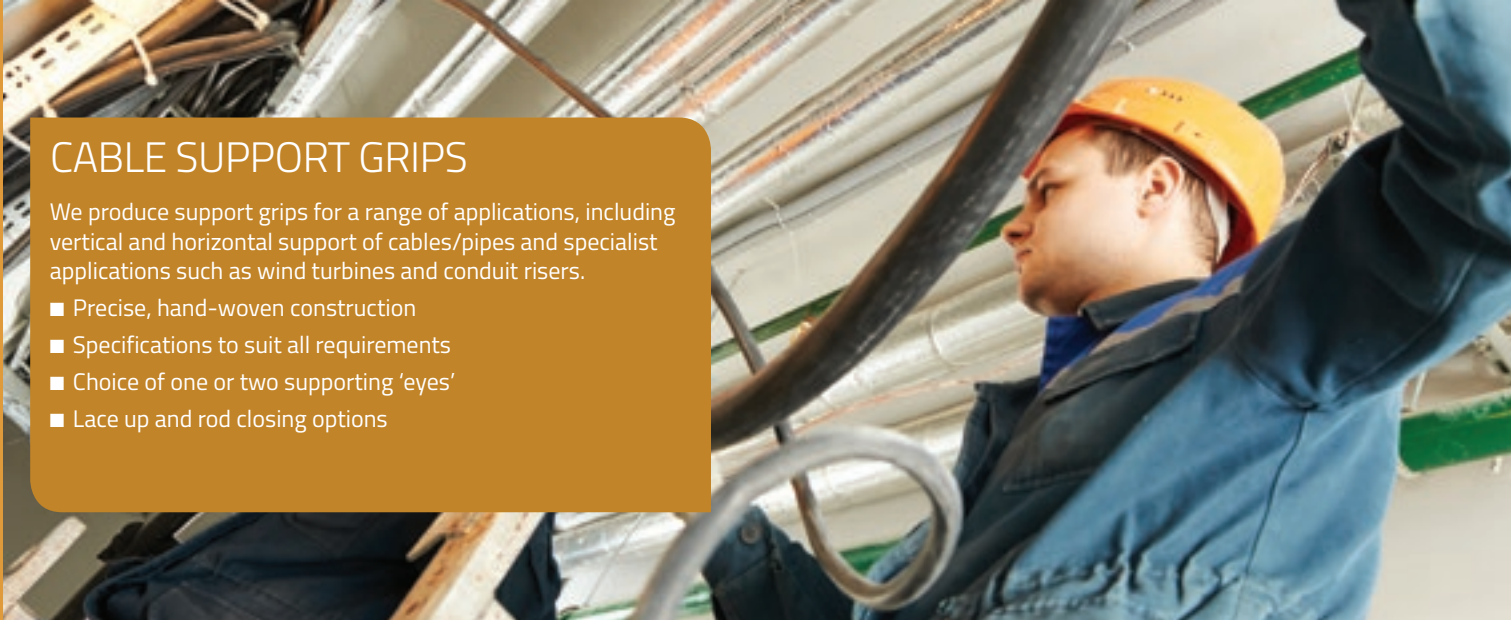
Double Offset Eye Non-Metallic Cable Grip



CABLE SUPPORT GRIPS

We produce support grips for a range of applications, including vertical and horizontal support of cables/pipes and specialist applications such as wind turbines and conduit risers.

- Precise, hand-woven construction
- Specifications to suit all requirements
- Choice of one or two supporting 'eyes'
- Lace up and rod closing options



WIND TURBINE SUPPORT GRIP - HEAVY DUTY THIMBLE OFFSET EYE

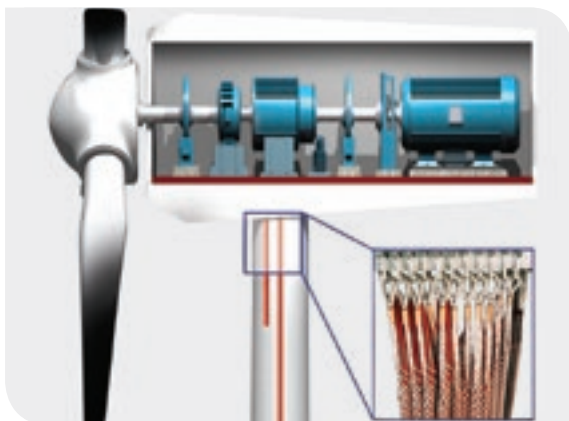


Slingco has developed a range of cable grips tailored for the renewable energy sector for use in:

- Cable installation – on-shore and off-shore
- Cable support inside wind turbines
- Cable management

For wind turbines, special features have been adapted to allow for minimal contact with the actual cable while still allowing excellent working loads and cable support.

The Slingco Wind Turbine Support Grip is manufactured from 316 Stainless Steel and provides cable support and control inside the wind turbine. It features rounded copper ferrules and offers reduced cable contact for high vibration environments. Custom grips can be adapted to meet any requirement.



| Range | | Lattice Length | | Approx. Break Load | | Slingco Part No. |
|-------------|----------|----------------|------|--------------------|-------|------------------|
| in | mm | in | mm | lb | kg | |
| 0.31 - 0.40 | 8 - 10 | 25 | 635 | 1,485 | 670 | ZCS2844 |
| 0.40 - 0.60 | 10 - 15 | 26 | 660 | 2,295 | 1,040 | ZCS2845 |
| 0.60 - 0.80 | 15 - 20 | 28 | 711 | 2,900 | 1,315 | ZCS2846 |
| 0.80 - 0.99 | 20 - 25 | 29 | 736 | 4,550 | 2,080 | ZCS2847 |
| 1.0 - 1.19 | 25 - 30 | 29 | 736 | 5,450 | 2,475 | ZCS2848 |
| 1.20 - 1.58 | 30 - 40 | 31 | 787 | 7,800 | 3,575 | ZCS2849 |
| 1.58 - 1.98 | 40 - 50 | 39 | 990 | 10,750 | 4,890 | ZCS2850 |
| 1.98 - 2.37 | 50 - 60 | 39 | 990 | 10,750 | 4,890 | ZCS2851 |
| 2.38 - 2.77 | 60 - 70 | 47 | 1194 | 14,000 | 6,420 | ZCS2852 |
| 2.77 - 3.55 | 70 - 90 | 47 | 1194 | 14,000 | 6,420 | ZCS2853 |
| 3.55 - 4.33 | 90 - 110 | 47 | 1194 | 18,000 | 8,165 | ZCS2854 |

EXTENDED THIMBLE EYE HEAVY DUTY DOUBLE WEAVE STAINLESS STEEL CABLE GRIP



| Range | | Lattice Length | | Eye Extension Length | | Approx. Break Load | | Slingco Part No. |
|-------------|---------|----------------|-----|----------------------|-----|--------------------|-------|------------------|
| in | mm | in | mm | in | mm | lb | kg | |
| 0.39 - 0.60 | 10 - 15 | 20 | 500 | 20 | 350 | 2,295 | 1,040 | ZCS2870 |
| 0.60 - 0.80 | 15 - 20 | 20 | 500 | 20 | 350 | 2,903 | 1,315 | ZCS2871 |
| 0.80 - 0.99 | 20 - 25 | 20 | 500 | 20 | 350 | 4,590 | 2,082 | ZCS2872 |
| 1.0 - 1.19 | 25 - 30 | 20 | 500 | 20 | 350 | 5,468 | 2,480 | ZCS2873 |
| 1.20 - 1.58 | 30 - 40 | 20 | 500 | 20 | 350 | 7,898 | 3,582 | ZCS2874 |

SINGLE EYE CLOSED MESH CABLE SUPPORT GRIP

Slingco closed mesh support grip in Stainless Steel. Closed mesh for when end of cable is available.



| Range | | Lattice Length | | Approx. Break Load | | Slingco Part No. |
|-------------|----------|----------------|-------|--------------------|-------|------------------|
| in | mm | in | mm | lb | kg | |
| 0.50 - 0.63 | 12 - 16 | 9.7 | 247 | 567 | 255 | ZCS1893 |
| 0.63 - 0.75 | 16 - 19 | 9.7 | 247 | 890 | 400 | ZCS1894 |
| 0.75 - 1.00 | 19 - 25 | 13 | 331 | 1,040 | 470 | ZCS1895 |
| 1.00 - 1.25 | 25 - 31 | 13.5 | 344 | 1,700 | 770 | ZCS1896 |
| 1.25 - 1.50 | 31 - 38 | 15 | 382 | 1,700 | 770 | ZCS1897 |
| 1.50 - 1.75 | 38 - 44 | 16.5 | 420 | 1,700 | 770 | ZCS1898 |
| 1.75 - 2.00 | 44 - 50 | 20 | 509 | 2,300 | 1,040 | ZCS1899 |
| 2.00 - 2.50 | 50 - 63 | 21 | 535 | 3,400 | 1,540 | ZCS1900 |
| 2.50 - 3.00 | 63 - 76 | 24 | 611 | 3,400 | 1,540 | ZCS1901 |
| 3.00 - 3.50 | 76 - 89 | 26 | 662 | 5,000 | 2,265 | ZCS1902 |
| 3.50 - 4.00 | 89 - 102 | 29 | 738 | 5,000 | 2,265 | ZCS1903 |
| 3.50 - 4.50 | 89 - 114 | 46 | 1,168 | 5,000 | 2,265 | ZCS5032 |

SINGLE EYE SPLIT MESH LACE CLOSING CABLE SUPPORT GRIP

In Stainless Steel. Split mesh is for when end of cable is not available.



| Range | | Lattice Length | | Approx. Break Load | | Slingco Part No. |
|-------------|----------|----------------|-----|--------------------|-------|------------------|
| in | mm | in | mm | lb | kg | |
| 0.50 - 0.63 | 12 - 16 | 9.7 | 247 | 567 | 255 | ZCS1904 |
| 0.63 - 0.75 | 16 - 19 | 9.7 | 247 | 890 | 400 | ZCS1905 |
| 0.75 - 1.00 | 19 - 25 | 13 | 331 | 1,040 | 470 | ZCS1906 |
| 1.00 - 1.25 | 25 - 31 | 13.5 | 344 | 1,700 | 770 | ZCS1907 |
| 1.25 - 1.50 | 31 - 38 | 15 | 382 | 1,700 | 770 | ZCS1908 |
| 1.50 - 1.75 | 38 - 44 | 16.5 | 420 | 1,700 | 770 | ZCS1909 |
| 1.75 - 2.00 | 44 - 50 | 20 | 509 | 2,300 | 1,040 | ZCS1910 |
| 2.00 - 2.50 | 50 - 63 | 21 | 535 | 3,400 | 1,540 | ZCS1911 |
| 2.50 - 3.00 | 63 - 76 | 24 | 611 | 3,400 | 1,540 | ZCS1912 |
| 3.00 - 3.50 | 76 - 89 | 26 | 662 | 5,000 | 2,265 | ZCS1913 |
| 3.50 - 4.00 | 89 - 102 | 29 | 738 | 5,000 | 2,265 | ZCS1914 |

SINGLE EYE SPLIT MESH ROD CLOSING CABLE SUPPORT GRIP

Similar to the lace up grip, in Stainless Steel, but in this design it is closed by inserting a metal rod down the length of the grip. For when end of cable is not available.



| Range | | Lattice Length | | Approx. Break Load | | Slingco Part No. |
|-------------|----------|----------------|-----|--------------------|-------|------------------|
| in | mm | in | mm | lb | kg | |
| 0.50 - 0.63 | 12 - 16 | 9.7 | 247 | 567 | 255 | ZCS2362 |
| 0.63 - 0.75 | 16 - 19 | 9.7 | 247 | 890 | 400 | ZCS2363 |
| 0.75 - 1.00 | 19 - 25 | 13 | 331 | 1,040 | 470 | ZCS2162 |
| 1.00 - 1.25 | 25 - 31 | 13.5 | 344 | 1,700 | 770 | ZCS2163 |
| 1.25 - 1.50 | 31 - 38 | 15 | 382 | 1,700 | 770 | ZCS2164 |
| 1.50 - 1.75 | 38 - 44 | 16.5 | 420 | 1,700 | 770 | ZCS2165 |
| 1.75 - 2.00 | 44 - 50 | 20 | 509 | 2,300 | 1,040 | ZCS2166 |
| 2.00 - 2.50 | 50 - 63 | 21 | 535 | 3,400 | 1,540 | ZCS2167 |
| 2.50 - 3.00 | 63 - 76 | 24 | 611 | 3,400 | 1,540 | ZCS2168 |
| 3.00 - 3.50 | 76 - 89 | 26 | 662 | 5,000 | 2,265 | ZCS2169 |
| 3.50 - 4.00 | 89 - 102 | 29 | 738 | 5,000 | 2,265 | ZCS2372 |

DOUBLE EYE CLOSED MESH CABLE SUPPORT GRIP

Double eye closed mesh support grip in stainless steel. Two eyes for two connect/support points. Closed mesh for when end of cable is available.



| Range | | Lattice Length | | Approx. Break Load | | Slingco Part No. |
|--------------|----------|----------------|-----|--------------------|-------|------------------|
| in | mm | in | mm | lb | kg | |
| 0.50 - 0.63 | 12 - 16 | 9.7 | 247 | 512 | 230 | ZCS2038 |
| 0.63 - .0.75 | 16 - 19 | 9.7 | 247 | 740 | 335 | ZCS2039 |
| 0.75 - 1.00 | 19 - 25 | 13 | 331 | 1,000 | 450 | ZCS2040 |
| 1.00 - 1.25 | 25 - 31 | 15 | 344 | 1,540 | 695 | ZCS2041 |
| 1.25 - 1.50 | 31 - 38 | 16.5 | 382 | 1,540 | 695 | ZCS2042 |
| 1.50 - 1.75 | 38 - 44 | 20 | 420 | 2,010 | 910 | ZCS2043 |
| 1.75 - 2.00 | 44 - 50 | 21 | 509 | 3,230 | 1,465 | ZCS2044 |
| 2.00 - 2.50 | 50 - 63 | 24 | 535 | 3,230 | 1,465 | ZCS2045 |
| 2.50 - 3.00 | 63 - 76 | 26 | 611 | 4,000 | 1,815 | ZCS2046 |
| 3.00 - 3.50 | 76 - 89 | 29 | 662 | 4,000 | 1,815 | ZCS2047 |
| 3.50 - 4.00 | 89 - 102 | 29 | 738 | 4,001 | 1,815 | ZCS2048 |
| 4.00 - 4.50 | 102-114 | 30 | 762 | 4,000 | 1,815 | ZCS6404 |
| 4.50 - 5.00 | 114-127 | 30 | 762 | 4,000 | 1,815 | ZCS6405 |
| 5.00 - 5.50 | 127-140 | 30 | 762 | 4,000 | 1,815 | ZCS6406 |

DOUBLE EYE SPLIT MESH LACE CLOSING CABLE SUPPORT GRIP

Double eye split mesh lace closing, in Stainless Steel, for secure attachment and support where the cable end is not accessible.



| Range | | Lattice Length | | Approx. Break Load | | Slingco Part No. |
|--------------|----------|----------------|-----|--------------------|-------|------------------|
| in | mm | in | mm | lb | kg | |
| 0.50 - 0.63 | 12 - 16 | 10 | 254 | 530 | 240 | ZCS2998 |
| 0.63 - .0.75 | 16 - 19 | 10 | 254 | 790 | 360 | ZCS2999 |
| 0.75 - 1.00 | 19 - 25 | 13 | 330 | 1,020 | 460 | ZCS3000 |
| 1.00 - 1.25 | 25 - 31 | 14 | 355 | 1,610 | 730 | ZCS3001 |
| 1.25 - 1.50 | 31 - 38 | 15 | 381 | 1,610 | 730 | ZCS3002 |
| 1.50 - 1.75 | 38 - 44 | 17 | 432 | 1,610 | 730 | ZCS3003 |
| 1.75 - 2.00 | 44 - 50 | 19 | 482 | 2,150 | 975 | ZCS3004 |
| 2.00 - 2.50 | 50 - 63 | 21 | 533 | 3,260 | 1,480 | ZCS3005 |
| 2.50 - 3.00 | 63 - 76 | 23 | 584 | 3,260 | 1,480 | ZCS3006 |
| 3.00 - 3.50 | 76 - 89 | 25 | 635 | 4,900 | 2,222 | ZCS3007 |
| 3.50 - 4.00 | 89 - 102 | 27 | 685 | 4,900 | 2,222 | ZCS3008 |

DOUBLE EYE SPLIT MESH ROD CLOSING CABLE SUPPORT GRIP

Double eye split mesh rod closing, in Stainless Steel, for secure attachment and support where the cable end is not accessible.



| Range | | Lattice Length | | Approx. Break Load | | Slingco Part No. |
|--------------|----------|----------------|-----|--------------------|-------|------------------|
| in | mm | in | mm | lb | kg | |
| 0.50 - 0.63 | 12 - 16 | 8.5 | 216 | 790 | 355 | ZCS3009 |
| 0.63 - .0.75 | 16 - 19 | 8.5 | 216 | 790 | 355 | ZCS3010 |
| 0.75 - 1.00 | 19 - 25 | 10.5 | 266 | 1,020 | 460 | ZCS3011 |
| 1.00 - 1.25 | 25 - 31 | 12.5 | 317 | 1,610 | 730 | ZCS3012 |
| 1.25 - 1.50 | 31 - 38 | 14.5 | 368 | 1,610 | 730 | ZCS3013 |
| 1.50 - 1.75 | 38 - 44 | 15.5 | 394 | 1,610 | 730 | ZCS3014 |
| 1.75 - 2.00 | 44 - 50 | 16.5 | 419 | 2,150 | 975 | ZCS3015 |
| 2.00 - 2.50 | 50 - 63 | 19.5 | 495 | 3,260 | 1,475 | ZCS3016 |
| 2.50 - 3.00 | 63 - 76 | 21.5 | 546 | 3,260 | 1,475 | ZCS3017 |
| 3.00 - 3.50 | 76 - 89 | 23.5 | 597 | 5,750 | 2,600 | ZCS3018 |
| 3.50 - 4.00 | 89 - 102 | 25.5 | 648 | 5,750 | 2,600 | ZCS3019 |

OFFSET EYE CLOSED MESH CABLE SUPPORT GRIP

The offset eye grip is designed to support the cable weight as it hangs vertically or horizontally. Closed mesh for when end of cable is available.



| Range | | Lattice Length | | Approx. Break Load | | Slingco Part No. |
|-------------|----------|----------------|-----|--------------------|-------|------------------|
| in | mm | in | mm | lb | kg | |
| 0.50 - 0.63 | 12 - 16 | 9.7 | 247 | 512 | 230 | ZCS1915 |
| 0.63 - .075 | 16 - 19 | 9.7 | 247 | 740 | 335 | ZCS1916 |
| 0.75 - 1.00 | 19 - 25 | 13 | 331 | 1,000 | 450 | ZCS1917 |
| 1.00 - 1.25 | 25 - 31 | 13.5 | 344 | 1,540 | 695 | ZCS1918 |
| 1.25 - 1.50 | 31 - 38 | 15 | 382 | 1,540 | 695 | ZCS1919 |
| 1.50 - 1.75 | 38 - 44 | 16.5 | 420 | 1,540 | 910 | ZCS1920 |
| 1.75 - 2.00 | 44 - 50 | 20 | 509 | 2,010 | 1,465 | ZCS1921 |
| 2.00 - 2.50 | 50 - 63 | 21 | 535 | 3,230 | 1,465 | ZCS1922 |
| 2.50 - 3.00 | 63 - 76 | 24 | 611 | 3,230 | 1,815 | ZCS1923 |
| 3.00 - 3.50 | 76 - 89 | 26 | 662 | 4,000 | 1,815 | ZCS1924 |
| 3.50 - 4.00 | 89 - 102 | 29 | 738 | 4,000 | 1,815 | ZCS1925 |
| 4.00 - 4.50 | 102-114 | 28 | 711 | 4,000 | 1,815 | ZCS6408 |
| 4.50 - 5.00 | 114-127 | 28 | 711 | 4,000 | 1,815 | ZCS6409 |
| 5.00 - 5.50 | 127-140 | 28 | 711 | 4,000 | 1,815 | ZCS6410 |

OFFSET EYE SPLIT MESH LACE CLOSING CABLE SUPPORT GRIP

This grip, in Stainless Steel, is ideal for several support points along the same cable when the cable ends are not accessible.



| Range | | Lattice Length | | Approx. Break Load | | Slingco Part No. |
|-------------|----------|----------------|-----|--------------------|-------|------------------|
| in | mm | in | mm | lb | kg | |
| 0.50 - 0.63 | 12 - 16 | 10 | 254 | 500 | 225 | ZCS1926 |
| 0.63 - .075 | 16 - 19 | 10 | 254 | 750 | 340 | ZCS1927 |
| 0.75 - 1.00 | 19 - 25 | 13 | 330 | 950 | 430 | ZCS1928 |
| 1.00 - 1.25 | 25 - 31 | 14 | 355 | 1,500 | 680 | ZCS1929 |
| 1.25 - 1.50 | 31 - 38 | 15 | 381 | 1,500 | 680 | ZCS1930 |
| 1.50 - 1.75 | 38 - 44 | 17 | 432 | 1,500 | 680 | ZCS1931 |
| 1.75 - 2.00 | 44 - 50 | 19 | 482 | 2,000 | 905 | ZCS1932 |
| 2.00 - 2.50 | 50 - 63 | 21 | 533 | 2,150 | 975 | ZCS1933 |
| 2.50 - 3.00 | 63 - 76 | 23 | 584 | 2,150 | 975 | ZCS1934 |
| 3.00 - 3.50 | 76 - 89 | 25 | 635 | 3,800 | 1,720 | ZCS1935 |
| 3.50 - 4.00 | 89 - 102 | 27 | 685 | 3,800 | 1,720 | ZCS1936 |

OFFSET EYE SPLIT MESH ROD CLOSING CABLE SUPPORT GRIP

Ideal for several support points along the same cable when the cable ends are not accessible. Made from Stainless Steel.



| Range | | Lattice Length | | Approx. Break Load | | Slingco Part No. |
|-------------|----------|----------------|-----|--------------------|-------|------------------|
| in | mm | in | mm | lb | kg | |
| 0.50 - 0.63 | 12 - 16 | 7 | 178 | 500 | 225 | ZCS3031 |
| 0.63 - .075 | 16 - 19 | 9 | 229 | 750 | 340 | ZCS3032 |
| 0.75 - 1.00 | 19 - 25 | 10 | 254 | 950 | 430 | ZCS3033 |
| 1.00 - 1.25 | 25 - 31 | 12 | 305 | 1,500 | 680 | ZCS3034 |
| 1.25 - 1.50 | 31 - 38 | 14 | 359 | 1,500 | 680 | ZCS3035 |
| 1.50 - 1.75 | 38 - 44 | 15 | 381 | 1,500 | 680 | ZCS3036 |
| 1.75 - 2.00 | 44 - 50 | 16 | 406 | 2,000 | 905 | ZCS3037 |
| 2.00 - 2.50 | 50 - 63 | 19 | 483 | 3,100 | 975 | ZCS3038 |
| 2.50 - 3.00 | 63 - 76 | 20 | 508 | 3,100 | 975 | ZCS3039 |
| 3.00 - 3.50 | 76 - 89 | 21 | 533 | 4,300 | 1,720 | ZCS3040 |
| 3.50 - 4.00 | 89 - 102 | 21 | 533 | 4,900 | 1,720 | ZCS3041 |



For swivels see page 32 in the Hardware & Accessories section.

UNIVERSAL EYE CLOSED MESH CABLE SUPPORT GRIP

Fitted with an adjustable eye for easy and secure attachment, where the end of the cable can be inserted in to the support grip. Made from Stainless Steel.



| Range | | Lattice Length | | Approx. Break Load | | Slingco Part No. |
|--------------|---------|----------------|-----|--------------------|-------|------------------|
| in | mm | in | mm | lb | kg | |
| 0.50 - 0.63 | 12 - 16 | 10 | 254 | 530 | 240 | ZCS2664 |
| 0.63 - .0.75 | 16 - 19 | 10 | 254 | 790 | 360 | ZCS2665 |
| 0.75 - 1.00 | 19 - 25 | 13 | 330 | 1,020 | 460 | ZCS2666 |
| 1.00 - 1.25 | 25 - 31 | 14 | 355 | 1,610 | 730 | ZCS2667 |
| 1.25 - 1.50 | 31 - 38 | 15 | 381 | 1,610 | 730 | ZCS2324 |
| 1.50 - 1.75 | 38 - 44 | 17 | 432 | 1,610 | 730 | ZCS2668 |
| 1.75 - 2.00 | 44 - 50 | 19 | 483 | 2,150 | 975 | ZCS2669 |
| 2.00 - 2.50 | 50 - 63 | 21 | 533 | 3,260 | 1,480 | ZCS2670 |
| 2.50 - 3.00 | 63 - 76 | 23 | 584 | 3,260 | 1,480 | ZCS2671 |

UNIVERSAL EYE SPLIT MESH LACE CLOSING CABLE SUPPORT GRIP

Fitted with an adjustable eye for easy and secure attachment, where the end of the cable is not accessible. Made from Stainless Steel.



| Range | | Lattice Length | | Approx. Break Load | | Slingco Part No. |
|--------------|----------|----------------|-----|--------------------|-------|------------------|
| in | mm | in | mm | lb | kg | |
| 0.50 - 0.63 | 12 - 16 | 10 | 254 | 530 | 240 | ZCS2672 |
| 0.63 - .0.75 | 16 - 19 | 10 | 254 | 790 | 360 | ZCS2673 |
| 0.75 - 1.00 | 19 - 25 | 13 | 330 | 1,020 | 460 | ZCS2674 |
| 1.00 - 1.25 | 25 - 31 | 14 | 355 | 1,610 | 730 | ZCS2675 |
| 1.25 - 1.50 | 31 - 38 | 15 | 381 | 1,610 | 730 | ZCS2676 |
| 1.50 - 1.75 | 38 - 44 | 17 | 432 | 1,610 | 730 | ZCS2677 |
| 1.75 - 2.00 | 44 - 50 | 19 | 483 | 2,150 | 975 | ZCS2678 |
| 2.00 - 2.50 | 50 - 63 | 21 | 533 | 3,260 | 1,480 | ZCS2679 |
| 2.50 - 3.00 | 63 - 76 | 23 | 584 | 3,280 | 1,480 | ZCS2680 |
| 3.00 - 3.50 | 76 - 89 | 25 | 635 | 4,900 | 2,222 | ZCS2681 |
| 3.50 - 4.00 | 89 - 102 | 27 | 686 | 4,900 | 2,222 | ZCS2682 |

UNIVERSAL EYE SPLIT MESH ROD CLOSING CABLE SUPPORT GRIP

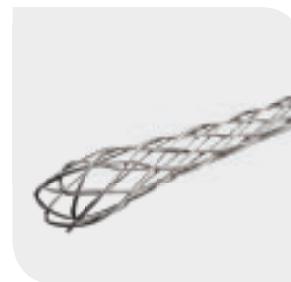
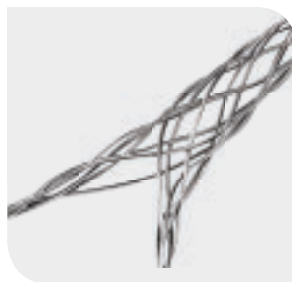
Fitted with an adjustable eye for easy and secure attachment, where the end of the cable is not accessible. Made from Stainless Steel.



| Range | | Lattice Length | | Approx. Break Load | | Slingco Part No. |
|--------------|---------|----------------|-----|--------------------|-----|------------------|
| in | mm | in | mm | lbs | kg | |
| 0.50 - 0.63 | 12 - 16 | 8.5 | 216 | 530 | 240 | ZCS2683 |
| 0.63 - .0.75 | 16 - 19 | 8.5 | 216 | 790 | 360 | ZCS2684 |
| 0.75 - 1.00 | 19 - 25 | 10.5 | 267 | 1,020 | 460 | ZCS2685 |
| 1.00 - 1.25 | 25 - 31 | 12.5 | 317 | 1,610 | 730 | ZCS2686 |
| 1.25 - 1.50 | 31 - 38 | 14.5 | 368 | 1,610 | 730 | ZCS2687 |
| 1.50 - 1.75 | 38 - 44 | 15.5 | 394 | 1,610 | 730 | ZCS2688 |

HEAVY DUTY CABLE SUPPORT GRIPS

Heavy Duty support grips made from stainless steel are perfect for supporting heavier cable, conduit or any other cylindrical object. Often used by Utilities and Contractors to support cables transitioning from overhead to underground. One may support multiple cables in one grip. The overall diameter of the cable bundle should fit within the listed range.



HEAVY DUTY SUPPORT GRIPS - SINGLE EYE

| Range | | Approx. Break Load | | Slingco Part No. |
|-------------|----------|--------------------|-------|------------------|
| in | mm | lb | kg | |
| 0.50 - 0.63 | 13 - 16 | 1,370 | 621 | ZCS7065 |
| 0.63 - 0.75 | 16 - 19 | 2,060 | 944 | ZCS7066 |
| 0.75 - 1.00 | 19 - 25 | 2,060 | 944 | ZCS7067 |
| 1.00 - 1.25 | 25 - 32 | 2,678 | 1,216 | ZCS7068 |
| 1.25 - 1.50 | 32 - 38 | 4,490 | 2,037 | ZCS7069 |
| 1.50 - 1.75 | 38 - 44 | 4,490 | 2,037 | ZCS7070 |
| 1.75 - 2.00 | 44 - 51 | 5,000 | 2,269 | ZCS7071 |
| 2.00 - 2.50 | 51 - 63 | 8,940 | 4,056 | ZCS7072 |
| 2.50 - 3.00 | 63 - 76 | 8,940 | 4,056 | ZCS7073 |
| 3.00 - 3.50 | 76 - 87 | 13,420 | 6,089 | ZCS7074 |
| 3.50 - 4.00 | 87 - 102 | 13,420 | 6,089 | ZCS7075 |

HEAVY DUTY SUPPORT GRIPS - DOUBLE EYE

| Range | | Approx. Break Load | | Slingco Part No. |
|-------------|----------|--------------------|-------|------------------|
| in | mm | lb | kg | |
| 0.50 - 0.63 | 13 - 16 | 1,370 | 621 | ZCS3057 |
| 0.63 - 0.75 | 16 - 19 | 2,080 | 944 | ZCS3058 |
| 0.75 - 1.00 | 19 - 25 | 2,080 | 944 | ZCS3059 |
| 1.00 - 1.25 | 25 - 31 | 2,870 | 1,302 | ZCS3060 |
| 1.25 - 1.50 | 31 - 38 | 4,490 | 2,037 | ZCS3061 |
| 1.50 - 1.75 | 38 - 44 | 4,490 | 2,037 | ZCS3062 |
| 1.75 - 2.00 | 44 - 50 | 5,000 | 2,268 | ZCS3063 |
| 2.00 - 2.50 | 50 - 63 | 8,940 | 4,056 | ZCS3064 |
| 2.50 - 3.00 | 63 - 76 | 8,940 | 4,056 | ZCS3065 |
| 3.00 - 3.50 | 76 - 89 | 12,000 | 5,445 | ZCS3066 |
| 3.50 - 4.00 | 89 - 102 | 12,000 | 5,445 | ZCS3067 |

HEAVY DUTY SUPPORT GRIPS - SINGLE EYE LACE-UP

| Range | | Approx. Break Load | | Slingco Part No. |
|-------------|----------|--------------------|-------|------------------|
| in | mm | lb | kg | |
| 0.50 - 0.63 | 13 - 16 | 1,370 | 621 | ZCS6907 |
| 0.63 - 0.75 | 16 - 19 | 2,080 | 944 | ZCS6908 |
| 0.75 - 1.00 | 19 - 25 | 2,080 | 944 | ZCS6909 |
| 1.00 - 1.25 | 25 - 32 | 2,670 | 1,211 | ZCS6910 |
| 1.25 - 1.50 | 32 - 38 | 4,490 | 2,037 | ZCS6911 |
| 1.50 - 1.75 | 38 - 44 | 4,490 | 2,037 | ZCS6912 |
| 1.75 - 2.00 | 44 - 51 | 5,000 | 2,269 | ZCS6913 |
| 2.00 - 2.50 | 51 - 63 | 8,940 | 4,056 | ZCS6914 |
| 2.50 - 3.00 | 63 - 76 | 8,940 | 4,056 | ZCS6915 |
| 3.00 - 3.50 | 76 - 87 | 13,420 | 6,089 | ZCS6916 |
| 3.50 - 4.00 | 87 - 102 | 13,420 | 6,089 | ZCS6917 |

HEAVY DUTY SUPPORT GRIPS - DOUBLE EYE LACE-UP

| Range | | Approx. Break Load | | Slingco Part No. |
|-------------|----------|--------------------|-------|------------------|
| in | mm | lb | kg | |
| 0.50 - 0.63 | 13 - 16 | 1,370 | 621 | ZCS7087 |
| 0.63 - 0.75 | 16 - 19 | 2,080 | 944 | ZCS7088 |
| 0.75 - 1.00 | 19 - 25 | 2,080 | 944 | ZCS7089 |
| 1.00 - 1.25 | 25 - 32 | 2,670 | 1,211 | ZCS7090 |
| 1.25 - 1.50 | 32 - 38 | 4,490 | 2,037 | ZCS7091 |
| 1.50 - 1.75 | 38 - 44 | 4,490 | 2,037 | ZCS7092 |
| 1.75 - 2.00 | 44 - 51 | 5,000 | 2,269 | ZCS7093 |
| 2.00 - 2.50 | 51 - 63 | 8,940 | 4,056 | ZCS7094 |
| 2.50 - 3.00 | 63 - 76 | 8,940 | 4,056 | ZCS7095 |
| 3.00 - 3.50 | 76 - 87 | 13,420 | 6,089 | ZCS7096 |
| 3.50 - 4.00 | 87 - 102 | 13,420 | 6,089 | ZCS7097 |

HEAVY DUTY SUPPORT GRIPS - SINGLE EYE ROD CLOSING

| Range | | Approx. Break Load | | Slingco Part No. |
|-------------|----------|--------------------|------|------------------|
| in | mm | lb | kg | |
| 0.50 - 0.63 | 13 - 16 | 1370 | 621 | ZCS7076 |
| 0.63 - 0.75 | 16 - 19 | 2080 | 944 | ZCS7077 |
| 0.75 - 1.00 | 19 - 25 | 2080 | 944 | ZCS7078 |
| 1.00 - 1.25 | 25 - 32 | 2670 | 1211 | ZCS7079 |
| 1.25 - 1.50 | 32 - 38 | 4490 | 2037 | ZCS7080 |
| 1.50 - 1.75 | 38 - 44 | 4490 | 2037 | ZCS7081 |
| 1.75 - 2.00 | 44 - 51 | 5000 | 2269 | ZCS7082 |
| 2.00 - 2.50 | 51 - 63 | 8940 | 4056 | ZCS7083 |
| 2.50 - 3.00 | 63 - 76 | 8940 | 4056 | ZCS7084 |
| 3.00 - 3.50 | 76 - 87 | 13420 | 6089 | ZCS7085 |
| 3.50 - 4.00 | 87 - 102 | 13420 | 6089 | ZCS7086 |

HEAVY DUTY SUPPORT GRIPS - DOUBLE EYE ROD CLOSING

| Range | | Approx. Break Load | | Slingco Part No. |
|-------------|----------|--------------------|-------|------------------|
| in | mm | lb | kg | |
| 0.50 - 0.63 | 13 - 16 | 1,370 | 621 | ZCS7098 |
| 0.63 - 0.75 | 16 - 19 | 2,080 | 944 | ZCS7099 |
| 0.75 - 1.00 | 19 - 25 | 2,080 | 944 | ZCS7100 |
| 1.00 - 1.25 | 25 - 32 | 2,670 | 1,211 | ZCS7101 |
| 1.25 - 1.50 | 32 - 38 | 4,490 | 2,037 | ZCS7102 |
| 1.50 - 1.75 | 38 - 44 | 4,490 | 2,037 | ZCS7103 |
| 1.75 - 2.00 | 44 - 51 | 5,000 | 2,269 | ZCS7104 |
| 2.00 - 2.50 | 51 - 63 | 8,940 | 4,056 | ZCS7105 |
| 2.50 - 3.00 | 63 - 76 | 8,940 | 4,056 | ZCS7106 |
| 3.00 - 3.50 | 76 - 87 | 13,420 | 6,089 | ZCS7107 |
| 3.50 - 4.00 | 87 - 102 | 13,420 | 6,089 | ZCS7108 |

BUS DROP GRIPS



Lightweight easy to use Bus Drop Grips are perfect for supporting cables in such applications as Data Centers, Control Centers and other wiring to rack applications.

| Slingco Part No | Range | | Eye length | | Approx. Break Load | |
|-----------------|-------------|-------------|------------|-------|--------------------|-----|
| | in | mm | in | mm | lb | kg |
| ZCS6969 | 0.24 - 0.32 | 6.1 - 8.1 | 3.5 | 88.9 | 350 | 158 |
| ZCS6970 | 0.32 - 0.43 | 8.1 - 10.9 | 4 | 101.6 | 450 | 204 |
| ZCS6971 | 0.43 - 0.56 | 10.9 - 14.2 | 4.75 | 120.6 | 550 | 249 |
| ZCS6972 | 0.56 - 0.73 | 14.2 - 18.5 | 6 | 152.4 | 1,000 | 453 |
| ZCS6973 | 0.73 - 0.85 | 18.5 - 21.6 | 6.75 | 171.4 | 1,400 | 635 |
| ZCS6974 | 0.85 - 1.00 | 21.6 - 25.4 | 8 | 203.2 | 1,400 | 635 |
| ZCS6975 | 1.00 - 1.25 | 25.4 - 31.7 | 9.5 | 241.3 | 1,500 | 680 |

SERVICE DROP GRIPS



Use these grips to support cables in manufacturing, industrial and open space environments. The extended eye allows for easy installation and hanging from conveniently placed connection points. Also great for Control room and wire to rack applications.

| Slingco Part No. | Range | | Eye length | | Approx. Break Load | |
|------------------|-------------|-------------|------------|-----|--------------------|-----|
| | in | mm | in | mm | lb | kg |
| ZCS7684 | 0.22 - 0.32 | 5.6 - 8.1 | 9 | 229 | 1,100 | 499 |
| ZCS7685 | 0.30 - 0.43 | 7.6 - 10.9 | 9 | 229 | 1,100 | 499 |
| ZCS7686 | 0.41 - 0.56 | 10.4 - 14.2 | 9 | 229 | 1,100 | 499 |
| ZCS7687 | 0.53 - 0.73 | 13.5 - 18.5 | 9 | 229 | 1,100 | 499 |
| ZCS7688 | 0.70 - 0.85 | 17.8 - 21.6 | 9 | 229 | 1,900 | 861 |
| ZCS7689 | 0.82 - 1.00 | 20.8 - 25.4 | 9 | 229 | 1,900 | 861 |
| ZCS7690 | 0.96 - 1.25 | 24.4 - 31.7 | 7 | 178 | 1,900 | 861 |

NYLON SUPPORT GRIPS FOR FIBRE



These nylon support grips hold common cable sizes from 1" to 2". The nylon material ensures that there is no interference or damage caused to cables being supported. Best used for supporting light weight cables and for positioning purposes. Perfect for supporting Fiber cables.

| Slingco Part No. | Range | | Eye length | | Approx. Break Load | | Slingco Part No. | |
|------------------|-------------|-------------|------------|-------|--------------------|-----|------------------|------------|
| | in | mm | in | mm | lb | kg | OFFSET EYE | DOUBLE EYE |
| ZCS7789 | 0.40 - 0.47 | 10.2 - 12 | 6 | 152.4 | 200 | 91 | ZCS7789 | ZCS7790 |
| ZCS8191 | 0.45 - 0.63 | 7.6 - 10.9 | 7 | 177.8 | 200 | 91 | ZCS8191 | ZCS8197 |
| ZCS8192 | 0.84 - 0.89 | 10.4 - 14.2 | 8 | 203 | 300 | 136 | ZCS8192 | ZCS8198 |
| ZCS8193 | 1.08 - 1.20 | 27.4 - 30.5 | 13 | 330 | 300 | 136 | ZCS8193 | ZCS8199 |
| ZCS8194 | 1.54 - 1.67 | 39 - 42.4 | 8 | 203 | 550 | 249 | ZCS8194 | ZCS8200 |
| ZCS8195 | 1.98 - 2.04 | 50.3 - 51.8 | 12 | 305 | 550 | 249 | ZCS8195 | ZCS8201 |
| ZCS8196 | 2.35 - 2.36 | 59.6 - 60 | 14 | 356 | 650 | 295 | ZCS8196 | ZCS8202 |

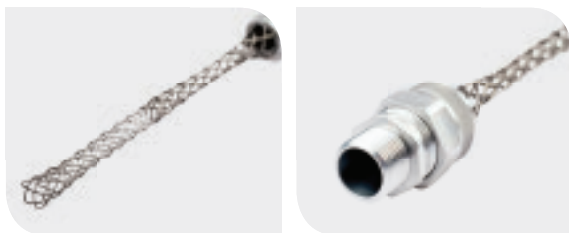
DELUXE CORD GRIPS

Deluxe Cord Grips provide strain relief and bend support for cables running into machinery and connection boxes. Select the deluxe grip that fits the NPT size being connected to. Available with Straight Male, 90 degree Male, 45 degree Male and Straight Female connections. The wire mesh grip is sized to provide bend support and pull out resistance for the cable range listed.



| Range | | Straight Male | 90° Male | 45° Male | Straight Female |
|------------------|-------------|------------------|------------------|------------------|------------------|
| in | mm | Slingco Part No. | Slingco Part No. | Slingco Part No. | Slingco Part No. |
| 3/8" NPT | | | | | |
| 0.19 - 0.25 | 4.8 - 6.4 | ZCS7713 | ZCS7717 | | |
| 0.25 - 0.31 | 6.4 - 7.9 | ZCS7714 | ZCS7718 | | |
| 0.31 - 0.38 | 7.9 - 9.7 | ZCS7715 | ZCS7719 | | |
| 0.38 - 0.50 | 9.7 - 12.7 | ZCS7716 | ZCS7720 | | |
| 1/2" NPT | | | | | |
| 0.19 - 0.25 | 4.8 - 6.4 | ZCS7721 | ZCS7727 | ZCS7731 | ZCS7735 |
| 0.25 - 0.38 | 6.4 - 9.6 | ZCS7722 | ZCS7728 | ZCS7732 | ZCS7736 |
| 0.38 - 0.50 | 9.7 - 12.7 | ZCS7723 | ZCS7729 | ZCS7733 | ZCS7737 |
| 0.50 - 0.63 | 12.7 - 16.0 | ZCS7724 | ZCS7730 | ZCS7734 | ZCS7738 |
| 0.63 - 0.75 | 16.0 - 19.1 | ZCS7725 | | | |
| 0.75 - 0.88 | 19.1 - 22.4 | ZCS7726 | | | |
| 3/4" NPT | | | | | |
| 0.25 - 0.38 | 6.4 - 9.7 | ZCS7739 | ZCS7744 | ZCS7748 | ZCS7752 |
| 0.38 - 0.50 | 9.7 - 12.7 | ZCS7740 | ZCS7745 | ZCS7749 | ZCS7753 |
| 0.50 - 0.63 | 12.7 - 16.0 | ZCS7741 | ZCS7746 | ZCS7750 | ZCS7754 |
| 0.63 - 0.75 | 16.0 - 19.1 | ZCS7742 | ZCS7747 | ZCS7751 | ZCS7755 |
| 0.75 - 0.88 | 19.1 - 22.4 | ZCS7743 | | | |
| 1" NPT | | | | | |
| 0.44 - 0.56 | 11.2 - 14 | ZCS7887 | ZCS7894 | ZCS7899 | ZCS7904 |
| 0.56 - 0.69 | 14 - 17.5 | ZCS7888 | ZCS7895 | ZCS7900 | ZCS7905 |
| 0.63 - 0.75 | 16 - 19.1 | ZCS7889 | ZCS7896 | ZCS7901 | ZCS7906 |
| 0.75 - 0.88 | 19.1 - 22.4 | ZCS7890 | ZCS7897 | ZCS7902 | ZCS7907 |
| 0.88 - 1.00 | 22.4 - 25.4 | ZCS7891 | ZCS7898 | ZCS7903 | ZCS7908 |
| 1.00 - 1.13 | 25.4 - 28.7 | ZCS7892 | | | |
| 1.13 - 1.25 | 28.7 - 31.8 | ZCS7893 | | | |
| 1.25" NPT | | | | | |
| 0.75 - 0.88 | 19.1 - 22.4 | ZCS7909 | ZCS7914 | | |
| 0.88 - 1.00 | 22.4 - 25.4 | ZCS7910 | ZCS7915 | | |
| 1.00 - 1.13 | 25.4 - 28.7 | ZCS7911 | ZCS7916 | | |
| 1.13 - 1.25 | 28.7 - 31.8 | ZCS7912 | ZCS7917 | | |
| 1.25 - 1.38 | 31.8 - 35.1 | ZCS7913 | ZCS7918 | | |
| 1.5" NPT | | | | | |
| 0.75 - 0.88 | 19.1 - 22.4 | ZCS7919 | ZCS7929 | | |
| 0.88 - 1.00 | 22.4 - 25.4 | ZCS7920 | ZCS7930 | | |
| 1.00 - 1.13 | 25.4 - 28.7 | ZCS7921 | ZCS7931 | | |
| 1.13 - 1.25 | 28.7 - 31.8 | ZCS7922 | ZCS7932 | | |
| 1.25 - 1.38 | 31.8 - 35.1 | ZCS7923 | ZCS7933 | | |
| 1.31 - 1.44 | 33.3 - 36.6 | ZCS7924 | | | |
| 1.44 - 1.56 | 36.6 - 39.6 | ZCS7925 | | | |
| 1.56 - 1.69 | 39.6 - 43.0 | ZCS7926 | | | |
| 1.69 - 1.81 | 43.0 - 46.0 | ZCS7927 | | | |
| 1.75 - 1.88 | 44.5 - 47.8 | ZCS7928 | | | |
| 2" NPT | | | | | |
| 1.25 - 1.38 | 31.8 - 35.1 | ZCS7934 | ZCS7945 | | |
| 1.31 - 1.44 | 33.3 - 36.6 | ZCS7935 | ZCS7946 | | |
| 1.44 - 1.56 | 36.6 - 39.6 | ZCS7936 | ZCS7947 | | |
| 1.56 - 1.69 | 39.6 - 43.0 | ZCS7937 | ZCS7948 | | |
| 1.69 - 1.81 | 43.0 - 46.0 | ZCS7938 | ZCS7949 | | |
| 1.75 - 1.88 | 44.5 - 47.8 | ZCS7939 | ZCS7950 | | |
| 1.81 - 1.94 | 45.9 - 49.3 | ZCS7940 | | | |
| 1.94 - 2.06 | 49.3 - 52.3 | ZCS7941 | | | |
| 2.06 - 2.19 | 52.3 - 55.5 | ZCS7942 | | | |
| 2.19 - 2.31 | 55.5 - 58.7 | ZCS7943 | | | |
| 2.31 - 2.44 | 58.7 - 31.9 | ZCS7944 | | | |

DELUXE CORD GRIPS (CONTINUED)



| Range in | Range mm | Straight Male | 90° Male | 45° Male | Straight Female |
|-----------------|-------------|------------------|------------------|------------------|------------------|
| | | Slingco Part No. | Slingco Part No. | Slingco Part No. | Slingco Part No. |
| 2.5" NPT | | | | | |
| 1.69 - 1.81 | 43.0 - 46.0 | ZCS7951 | | | |
| 1.81 - 1.94 | 45.9 - 49.3 | ZCS7952 | | | |
| 1.94 - 2.06 | 49.3 - 52.3 | ZCS7953 | | | |
| 2.06 - 2.19 | 52.3 - 55.5 | ZCS7954 | | | |
| 2.19 - 2.31 | 55.5 - 58.7 | ZCS7955 | | | |
| 2.31 - 2.44 | 58.7 - 31.9 | ZCS7956 | | | |
| 3.0" NPT | | | | | |
| 1.69 - 1.81 | 43.0 - 46.0 | ZCS7957 | | | |
| 1.81 - 1.94 | 45.9 - 49.3 | ZCS7958 | | | |
| 1.94 - 2.06 | 49.3 - 52.3 | ZCS7959 | | | |
| 2.06 - 2.19 | 52.3 - 55.5 | ZCS7960 | | | |
| 2.19 - 2.31 | 55.5 - 58.7 | ZCS7961 | | | |
| 2.31 - 2.44 | 58.7 - 31.9 | ZCS7962 | | | |
| 2.44 - 2.63 | 62.0 - 66.5 | ZCS7963 | | | |
| 2.63 - 2.81 | 66.5 - 71.4 | ZCS7964 | | | |
| 2.81 - 3.00 | 71.4 - 76.2 | ZCS7965 | | | |
| 3.00 - 3.25 | 76.2 - 82.6 | ZCS7966 | | | |

DUST-TIGHT CORD GRIPS



Dust-Tight Cord Grips provide strain relief and bend support for cables running into machinery and connection boxes. Select the deluxe grip that fits the NPT size being connected to. Available with Straight Male, 90 degree Male, 45 degree Male and Straight Female connections. The wire mesh grip is sized to provide bend support and pull out resistance for the cable range listed.

| Range in | Range mm | NPT | Insulated | Non-insulated |
|-------------|-------------|-------|------------------|------------------|
| | | Size | Slingco Part No. | Slingco Part No. |
| 0.22 - 0.32 | 5.6 - 8.1 | 1/2" | ZCS7674 | ZCS7756 |
| 0.30 - 0.43 | 7.6 - 10.9 | 1/2" | ZCS7675 | ZCS7757 |
| 0.40 - 0.54 | 10.1 - 13.7 | 1/2" | ZCS7676 | ZCS7758 |
| 0.52 - 0.73 | 13.2 - 18.5 | 3/4" | ZCS7677 | ZCS7759 |
| 0.70 - 0.97 | 17.8 24.6 | 1" | ZCS7678 | ZCS7760 |
| 0.94 - 1.25 | 23.8 - 31.8 | 1.25" | ZCS7679 | ZCS7761 |
| 1.20 - 1.50 | 30.5 - 38.1 | 1.5" | ZCS7680 | |
| 1.40 - 1.75 | 38.1 - 44.5 | 2" | ZCS7681 | |
| 1.62 - 2.00 | 41.1 - 50.8 | 2.5" | ZCS7682 | |
| 2.00 - 2.45 | 50.8 - 62.2 | 2.5" | ZCS7683 | |

CAN'T FIND THE SPECIFICATION YOU NEED?

Call or email for full ranges plus custom manufacture options

01706 855558

sales@slingco.com

CONDUIT RISER CABLE GRIP - STAINLESS STEEL



A single weave grip, with a support ring, designed for the support of electrical cabling in standard rigid conduit.

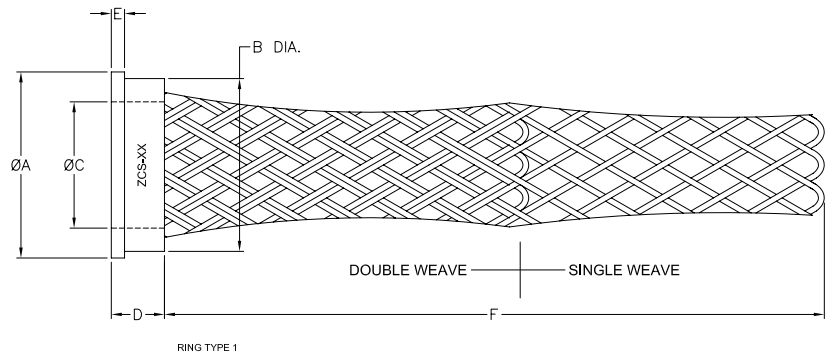


Slingco comparison reference numbers and Approximate breaking strengths (lbs)

| Conduit size inches | Cable sizes diameter inches | | | | | | | | | | | | | | | | |
|---------------------|-----------------------------|----------------|------------------|------------------|------------------|------------------|------------------|------------------|-------------------|------------------|-------------------|------------------|------------------|------------------|------------------|------------------|------------------|
| | 0.50-0.63 | 0.63-0.75 | 0.75-1.00 | 1.00-1.25 | 1.25-1.50 | 1.50-1.75 | 1.75-2.00 | 2.0-2.5 | 2.0-3.0 | 2.5-3.0 | 3.5-4.0 | 3.0-3.5 | 3.5-4.5 | 3.5-4.0 | 4.0-4.5 | 4.5-5.0 | 4.5-5.0 |
| | Length inches | | | | | | | | | | | | | | | | |
| 0.75 | ZCS2690 530 | | | | | | | | | | | | | | | | |
| 1 | ZCS2691 490 | ZCS2694 790 | | | | | | | | | | | | | | | |
| 1.25 | ZCS2692 450 | ZCS2695 740 | ZCS2698 1,030 | | | | | | | | | | | | | | |
| 1.5 | | ZCS2696 690 | ZCS2699 970 | ZCS2701 1,610 | | | | | | | | | | | | | |
| 2 | ZCS2693 370 | ZCS2697 640 | ZCS2700 920 | ZCS2702 1,520 | ZCS2704 1,610 | | | | | | | | | | | | |
| 2.5 | | | | | ZCS2705 1,510 | ZCS2707 1,610 | ZCS2708 2,150 | | | | | | | | | | |
| 3 | | | | ZCS2703 1,340 | ZCS2706 1,400 | ZCS2709 1,490 | ZCS2710 1,990 | ZCS2711 3,260 | | | | | | | | | |
| 3.5 | | | | | | | | ZCS2714 2,970 | | ZCS2716 3,260 | | | | | | | |
| 4 | | | | | | | ZCS2712 1,670 | ZCS2713 2,680 | | ZCS2715 2,890 | | ZCS2717 4,080 | | | | | |
| 5 | | | | | | | | | ZCS5645* 2,150 | ZCS2719 2,150 | ZCS5646* 3,130 | ZCS2721 2,860 | | ZCS2723 3,130 | | | |
| 6 | | | | | | | | | | | | ZCS2722 2,240 | ZCS5647 2,240 | ZCS2724 2,240 | ZCS4755 2,240 | ZCS3259 4,995 | ZCS4284 4,995 |

STAINLESS STEEL CONNECTOR/BOX GRIP

Dual Weave – these grips are designed with a ring to support electric cabling from termination point to reduce strain on the connections.
304 stainless steel.



| Cable dia min inches (mm) | Cable dia max inches (mm) | Ø A inches (mm) | B inches (mm) | Ø C inches (mm) | D inches (mm) | E inches (mm) | F inches (mm) | Approx. breaking strength lb (kg) | Slingco Part No. |
|---------------------------|---------------------------|-----------------|---------------|-----------------|---------------|---------------|---------------|-----------------------------------|------------------|
| 0.2 (5.1) | 0.25 (6.4) | 1.25 (31.8) | 1.12 (28.4) | 0.31 (7.9) | 0.281 (7.1) | 0.125 (3.2) | 3 (76) | 500 (225) | ZCS2208 |
| 0.31 (7.9) | 0.375 (9.5) | 1.25 (31.8) | 1.12 (28.4) | 0.437 (11.1) | 0.281 (7.1) | 0.125 (3.2) | 4 (102) | 750 (340) | ZCS2209 |
| 0.41 (10.4) | 0.5 (12.7) | 1.25 (31.8) | 1.12 (28.4) | 0.562 (14.3) | 0.281 (7.1) | 0.125 (3.2) | 5 (127) | 750 (340) | ZCS2210 |
| 0.5 (12.7) | 0.625 (15.9) | 1.25 (31.8) | 1.12 (28.4) | 0.687 (17.4) | 0.281 (7.1) | 0.125 (3.2) | 6 (152) | 1,200 (540) | ZCS2211 |
| 0.61 (15.5) | 0.75 (19.1) | 1.25 (31.8) | 1.12 (28.4) | 0.812 (20.6) | 0.281 (7.1) | 0.125 (3.2) | 7 (178) | 1,200 (540) | ZCS2212 |
| 0.71 (18.0) | 0.875 (22.2) | 1.25 (31.8) | 1.12 (28.4) | 0.937 (23.8) | 0.281 (7.1) | 0.125 (3.2) | 7½ (178) | 1,000 (450) | ZCS2213 |
| 0.77 (19.6) | 0.937 (23.8) | 1.25 (31.8) | 1.12 (28.4) | 0.948 (24.1) | 0.219 (5.6) | - | 8 (203) | 800 (360) | ZCS2214 |
| 0.31 (7.9) | 0.375 (9.5) | 1.75 (44.5) | 1.62 (41.1) | 0.437 (11.1) | 0.281 (7.1) | 0.125 (3.2) | 4 (102) | 500 (225) | ZCS2215 |
| 0.41 (10.4) | 0.5 (12.7) | 1.75 (44.5) | 1.62 (41.1) | 0.562 (14.3) | 0.281 (7.1) | 0.125 (3.2) | 5 (127) | 750 (340) | ZCS2216 |
| 0.5 (12.7) | 0.625 (15.9) | 1.75 (44.5) | 1.62 (41.1) | 0.687 (17.4) | 0.281 (7.1) | 0.125 (3.2) | 6 (152) | 1,000 (450) | ZCS2217 |
| 0.61 (15.5) | 0.75 (19.1) | 1.75 (44.5) | 1.62 (41.1) | 0.812 (20.6) | 0.281 (7.1) | 0.125 (3.2) | 7 (178) | 1,000 (450) | ZCS2218 |
| 0.71 (18.0) | 0.875 (22.2) | 1.75 (44.5) | 1.62 (41.1) | 0.937 (23.8) | 0.281 (7.1) | 0.125 (3.2) | 7½ (190) | 1,000 (450) | ZCS2219 |
| 0.82 (20.8) | 1 (25.4) | 1.75 (44.5) | 1.62 (41.1) | 1.062 (27.0) | 0.281 (7.1) | 0.125 (3.2) | 8½ (215) | 1,000 (450) | ZCS2220 |
| 0.915 (23.2) | 1.125 (28.6) | 1.75 (44.5) | 1.62 (41.1) | 1.187 (30.1) | 0.281 (7.1) | 0.125 (3.2) | 9 (229) | 1,500 (680) | ZCS2221 |
| 1.02(25.9) | 1.25 (31.8) | 1.75 (44.5) | 1.62 (41.1) | 1.312 (33.3) | 0.281 (7.1) | 0.125 (3.2) | 10 (254) | 1,000 (450) | ZCS2222 |
| 1.18 (30.0) | 1.437 (36.5) | 1.75 (44.5) | 1.62 (41.1) | 1.448 (36.8) | 0.219 (5.6) | - | 10½ (265) | 500 (225) | ZCS2223 |
| 0.5 (12.7) | 0.625 (15.9) | 2.25 (57.2) | 2.12 (53.8) | 0.687 (17.4) | 0.281 (7.1) | 0.125 (3.2) | 6 (152) | 1,000 (450) | ZCS2224 |
| 0.71 (18.0) | 0.875 (22.2) | 2.25 (57.2) | 2.12 (53.8) | 0.937 (23.8) | 0.281 (7.1) | 0.125 (3.2) | 7½ (178) | 1,000 (450) | ZCS2225 |
| 0.915 (23.2) | 1.125 (28.6) | 2.25 (57.2) | 2.12 (53.8) | 1.187 (30.1) | 0.281 (7.1) | 0.125 (3.2) | 9 (229) | 1,500 (680) | ZCS2226 |
| 1.02 (25.9) | 1.25 (31.8) | 2.25 (57.2) | 2.12 (53.8) | 1.312 (33.3) | 0.281 (7.1) | 0.125 (3.2) | 10 (254) | 1,800 (815) | ZCS2227 |
| 1.22 (31.0) | 1.5 (38.1) | 2.25 (57.2) | 2.12 (53.8) | 1.562 (39.7) | 0.281 (7.1) | 0.125 (3.2) | 11 (279) | 1,800 (815) | ZCS2228 |
| 1.43 (36.3) | 1.75 (44.5) | 2.25 (57.2) | 2.12 (53.8) | 1.812 (46.0) | 0.281 (7.1) | 0.125 (3.2) | 13 (330) | 700 (315) | ZCS2229 |
| 1.18 (30.0) | 1.937 (49.2) | 2.25 (57.2) | 2.12 (53.8) | 1.948 (49.5) | 0.219 (5.6) | - | 14½ (365) | 350 (155) | ZCS2230 |
| 0.82 (20.8) | 1 (25.4) | 2.75 (69.9) | 2.62 (66.5) | 1.062 (27.0) | 0.281 (7.1) | 0.125 (3.2) | 8½ (215) | 1,000 (450) | ZCS2231 |
| 1.02 (25.9) | 1.25 (31.8) | 2.75 (69.9) | 2.62 (66.5) | 1.312 (33.3) | 0.281 (7.1) | 0.125 (3.2) | 10 (254) | 1,500 (680) | ZCS2232 |
| 1.22 (31.0) | 1.5 (38.1) | 2.75 (69.9) | 2.62 (66.5) | 1.562 (39.7) | 0.281 (7.1) | 0.125 (3.2) | 11 (279) | 1,500 (680) | ZCS2233 |
| 1.43 (36.3) | 1.75 (44.5) | 2.75 (69.9) | 2.62 (66.5) | 1.812 (46.0) | 0.281 (7.1) | 0.125 (3.2) | 13 (330) | 1,800 (815) | ZCS2234 |
| 1.64 (41.7) | 2 (50.8) | 2.75 (69.9) | 2.62 (66.5) | 2.062 (52.4) | 0.281 (7.1) | 0.125 (3.2) | 15 (381) | 1,800 (815) | ZCS2235 |
| 1.84 (46.7) | 2.25 (57.2) | 2.75 (69.9) | 2.62 (66.5) | 2.312 (58.7) | 0.281 (7.1) | 0.125 (3.2) | 16 (406) | 1,500 (680) | ZCS2236 |
| 2.062 (52.4) | 2.469 (62.7) | 2.75 (69.9) | 2.62 (66.5) | 2.489 (63.2) | 0.219 (5.6) | - | 17½ (444) | 1,500 (680) | ZCS2237 |
| 1.375 (34.9) | 1.75 (44.5) | 3.25 (82.6) | 3.12 (79.2) | 1.812 (46.0) | 0.281 (7.1) | 0.125 (3.2) | 13 (330) | 2,000 (905) | ZCS2238 |
| 1.75 (44.5) | 2 (50.8) | 3.25 (82.6) | 3.12 (79.2) | 2.062 (52.4) | 0.281 (7.1) | 0.125 (3.2) | 15 (381) | 2,000 (905) | ZCS2239 |
| 1.84 (46.7) | 2.25 (57.2) | 3.25 (82.6) | 3.12 (79.2) | 2.312 (58.7) | 0.281 (7.1) | 0.125 (3.2) | 16 (406) | 2,000 (905) | ZCS2240 |
| 2.125 (54.0) | 2.5 (63.5) | 3.25 (82.6) | 3.12 (79.2) | 2.562 (65.1) | 0.281 (7.1) | 0.125 (3.2) | 17½ (444) | 2,000 (905) | ZCS2241 |
| 2.5 (63.5) | 2.875 (73.0) | 3.25 (82.6) | 3.12 (79.2) | 2.918 (74.1) | 0.219 (5.6) | - | 19 (483) | 2,000 (905) | ZCS2242 |

HEAVY DUTY HOSE RESTRAINT GRIPS / WHIPSOCKS



Safety restraining system designed to prevent whipping in the event of a pressurised hose becoming detached from its fitting.

| | Range | | Lattice Length | | Lattice Weave | Approx. Break Load | | Slingco Part No. |
|---|-------------|-----------|----------------|-------|---------------|--------------------|--------|------------------|
| | in | mm | in | mm | | lb | kg | |
| DOUBLE THIMBLE EYE - GALVANISED STEEL | | | | | | | | |
| Thimble eye | 1.0 - 1.5 | 25 - 38 | 26 | 660 | Double | 11,000 | 4,911 | ZCS5363 |
| Thimble eye | 1.5 - 2.5 | 38 - 63 | 40 | 1,016 | Double | 20,000 | 8,928 | ZCS5364 |
| Thimble eye | 2.5 - 3.5 | 63 - 89 | 42 | 1,067 | Double | 22,000 | 9,821 | ZCS5365 |
| Thimble eye | 3.5 - 4.5 | 89 - 114 | 44 | 1,118 | Double | 27,000 | 12,053 | ZCS5366 |
| Thimble eye | 4.5 - 5.5 | 114 - 140 | 48 | 1,219 | Double | 31,000 | 13,839 | ZCS5367 |
| Thimble eye | 5.5 - 7.0 | 140 - 180 | 60 | 1,524 | Double | 50,000 | 22,685 | ZCS6012 |
| Thimble eye | 7.0 - 9.25 | 180 - 240 | 78 | 2,000 | Triple | 66,000 | 30,000 | ZCS5529 |
| DOUBLE THIMBLE EYE - STAINLESS STEEL | | | | | | | | |
| Thimble eye | 1.0 - 1.5 | 25 - 38 | 26 | 660 | Double | 7,700 | 3,437 | ZCS5650 |
| Thimble eye | 1.5 - 2.5 | 38 - 63 | 40 | 1,016 | Double | 14,000 | 6,250 | ZCS5651 |
| Thimble eye | 2.5 - 3.5 | 63 - 89 | 42 | 1,067 | Double | 15,400 | 6,874 | ZCS5652 |
| Thimble eye | 3.5 - 4.5 | 89 - 114 | 44 | 1,118 | Double | 18,900 | 8,437 | ZCS5653 |
| Thimble eye | 4.5 - 5.5 | 114 - 140 | 48 | 1,219 | Double | 21,700 | 9,687 | ZCS5654 |
| Thimble eye | 5.5 - 7.0 | 140 - 180 | 60 | 1,524 | Double | 35,000 | 15,880 | ZCS6000 |
| DOUBLE EYE MULTIWEAVE - MAX STRENGTH - STAINLESS STEEL | | | | | | | | |
| Thimble eye | 1.14 - 1.57 | 29 - 40 | 50 | 1,270 | Double | 35,000 | 15,625 | ZCS3995 |
| Flex eye | 2.75 - 3.44 | 70 - 87 | 58 | 1,460 | Multiple | 49,000 | 22,230 | ZCS3295 |
| Flex eye | 3.00 - 3.50 | 76 - 89 | 58 | 1,460 | Multiple | 39,200 | 17,785 | ZCS3254 |
| Flex eye | 3.50 - 4.75 | 89 - 120 | 58 | 1,460 | Multiple | 50,000 | 22,320 | ZCS6004 |
| Flex eye | 4.75 - 5.10 | 120 - 130 | 78 | 1,981 | Multiple | 106,000 | 48,095 | ZCS3414 |

SPECIALITY HOSE RESTRAINT GRIPS / WHIPSOCKS

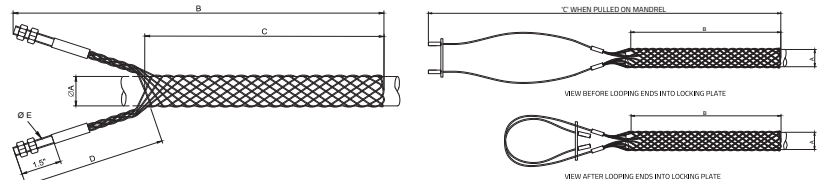


Y Type Threaded Bolt Hose Grip - Stainless Steel

| Size range inches (mm) | Ø A mean inches (mm) | Ø B inches (mm) | C inches (mm) | D inches (mm) | Ø E inches (mm) | Approx. Break Load lb (kg) | Slingco Part No. |
|------------------------|----------------------|-----------------|---------------|---------------|---|----------------------------|------------------|
| 0.25 - 0.5 (6 - 13) | 0.37 (9.5) | 41.0 (1,041) | 29.0 (737) | 12.0 (305) | ⁵ / ₁₆ BSW (18 TPI) | 2,600 (1,161) | ZCS5422 |
| 0.5 - 0.75 (13 - 19) | 0.62 (16) | 39.0 (991) | 27.0 (686) | 12.0 (305) | ⁵ / ₁₆ BSW (18 TPI) | 3,500 (1,562) | ZCS5423 |
| 1.0 - 1.5 (25 - 38) | 1.25 (32) | 43.0 (1,092) | 31.0 (787) | 12.0 (305) | ¹ / ₂ BSW (12 TPI) | 12,000 (5,357) | ZCS5424 |

U Type Universal Eye Hose Grip - Stainless Steel

| Size range inches (mm) | Ø A mean inches (mm) | Ø B inches (mm) | C inches (mm) | Approx. Break Load lb (kg) | Slingco Part No. |
|------------------------|----------------------|-----------------|---------------|----------------------------|------------------|
| 0.25 - 0.5 (6 - 13) | 0.37 (9.5) | 29.0 (737) | 29.0 (737) | 2,600 (1,161) | ZCS5431 |
| 0.5 - 0.75 (13 - 19) | 0.62 (16) | 27.0 (686) | 27.0 (686) | 3,500 (1,562) | ZCS5432 |
| 1.0 - 1.5 (25 - 38) | 1.25 (32) | 31.0 (787) | 31.0 (787) | 12,000 (5,357) | ZCS5433 |



HOSE WHIP RESTRAINT



The strong steel cable prevents hose-whip accidents in the event of hose or coupling failure.

Easily fitted spring loaded loops grip the hose firmly.

| Diameter | | Length | | Suitable for hose diameter | | Break load | | Slingco Part No. |
|----------|--------|--------|--------|----------------------------|----------|------------|------|------------------|
| mm | inches | mm | inches | mm | inches | kg | lb | |
| 3 | 0.12 | 533 | 21 | 12 - 32 | ½" - 1¼" | 540 kg | 1190 | ZWR0553 |
| 6 | 0.24 | 914 | 35 | 38 - 76 | 1½" - 3" | 2160 kg | 4762 | ZWR0555 |



CAN'T FIND THE SPECIFICATION YOU NEED?
 Call or email for full ranges plus custom manufacture options

01706 855558
 sales@slingco.com

HARDWARE & ACCESSORIES

We have a range of hardware and accessories used in cable pulling, overhead line stringing, oil and gas, and general cable handling and protection.

- Swivels
- Connectors
- Guide Rollers
- Transmission Stringing Blocks
- Tools and Equipment
- Well Boring Protection

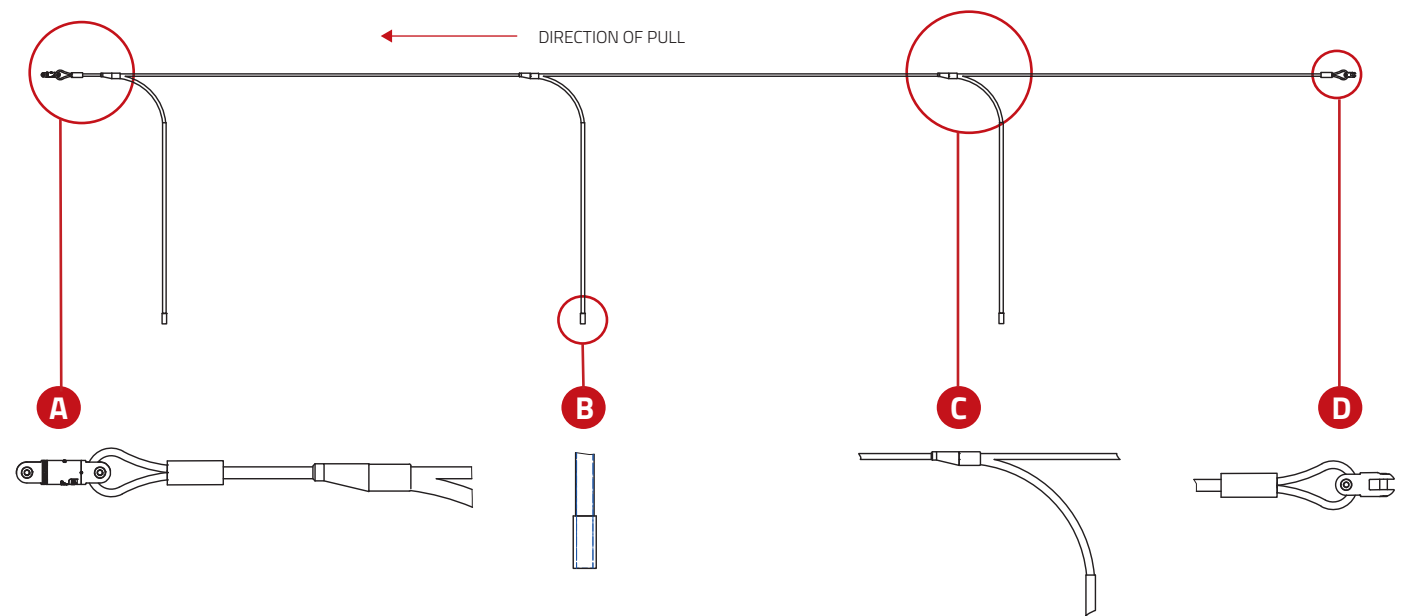
ANTI ROTATIONAL DEVICE



The device prevents the cable from twisting as it travels over pulling blocks. Left uncontrolled, the optical cable's delicate glass fibres could be permanently damaged during installation.

- Stops cables from twisting as they pass over pulling blocks
- For use with fibre optic and OPGW cable
- Prevents irreparable damage to delicate fibre optics caused by cable twists during installation
- The ARD has weighted attachments that hang down while stringing, keeping the ARD vertical to stop cable rotation
- ARD attachments collapse in line, enabling them to travel easily over pulling blocks

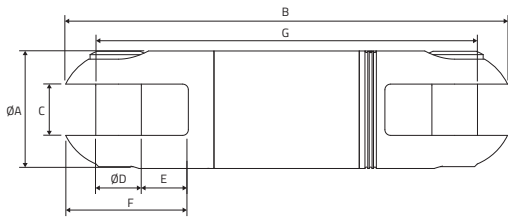
| Specification | |
|-----------------------------------|----------------------|
| Slingco Part No. | ZAD3799 |
| Overall Length | 8839mm (29') approx. |
| Working load (@3:1 Safety Factor) | 2268 kg (5,000 lbs) |
| Length of Attachments | 2438mm (8') Approx. |
| Weight of Attachment | 14 lbs each Approx. |



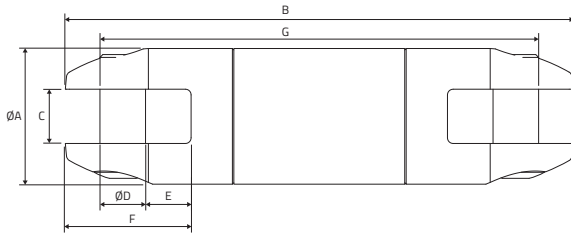
LINE PULLING SWIVELS

Swivels designed for use in stringing high tension wires for electrical transmission and distribution.

LINE PULLING SWIVEL – STANDARD ENDS



LINE PULLING SWIVEL – BULL NOSE



Swivels are important in pulling when the lines develop torsion during the installation. This torsion must be released. Use of a swivel will release torque and prevent it from reaching dangerous levels, which can cause damage to the cable or grip.

Slingco also offers a 'bull nose' style swivel designed for underground and overhead applications.

All swivels are stringently quality tested and inspected to ensure optimum performance and reliability.

LINE PULLING SWIVEL
STANDARD ENDS



LINE PULLING SWIVEL
BULL NOSE



| Safe working load lb (kN) | Ø A in (mm) | B Length in (mm) | C Slot width in (mm) | D Pin Ø in (mm) | Ø E Recess in (mm) | F Clevis depth in (mm) | G Pin-to-Pin in (mm) | Slingco Part No. | |
|--|-----------------|------------------------|----------------------------|-----------------------|--------------------------|------------------------------|----------------------------|------------------|----------|
| | | | | | | | | Underground | Overhead |
| LINE PULLING SWIVEL – STANDARD ENDS | | | | | | | | | |
| 2,250 (10) | 1,350 (6) | 0.87 (22) | 3.37 (85.6) | 0.39 (10) | 0.31 (8) | 0.39 (10) | 0.92 (23.4) | 2.96 (75.2) | ZSW2091 |
| 3,500 (15.5) | 2,100 (9.3) | 0.98 (25) | 3.98 (101.1) | 0.43 (11) | 0.39 (10) | 0.43 (11) | 1.08 (27.5) | 3.44 (87.5) | ZSW2092 |
| 5,000 (22) | 3,000 (13.2) | 1.26 (32) | 4.96 (126) | 0.55 (14) | 0.39 (10) | 0.55 (14) | 1.30 (33.1) | 4.23 (107.5) | ZSW2093 |
| 7,000 (31.1) | 4,200 (18.7) | 1.38 (35) | 5.22 (132.7) | 0.55 (14) | 0.49 (12.5) | 0.54 (13.8) | 1.41 (35.7) | 4.47 (113.5) | ZSW2094 |
| 10,000 (44.5) | 6,000 (26.7) | 1.62 (41.25) | 6.11 (155.1) | 0.71 (18) | 0.63 (16.5) | 0.65 (16.5) | 1.70 (43.1) | 5.28 (134) | ZSW2096 |
| 15,000 (66) | 9,000 (39.6) | 2.09 (53) | 7.34 (186.4) | 0.79 (20) | 0.71 (18) | 0.83 (21) | 2.15 (54.5) | 6.13 (155.6) | ZSW2097 |
| LINE PULLING SWIVEL – BULL NOSE | | | | | | | | | |
| 4,000 (17.8) | 2,400 (10.7) | 1.26 (32) | 4.74 (120.5) | 0.61 (15.5) | 0.37 (9.5) | 0.52 (13.25) | 1.18 (30) | 4.17 (106) | ZSW2649 |
| 8,000 (35.5) | 4,800 (21.4) | 1.50 (38) | 5.38 (136.6) | 0.63 (16) | 0.43 (11) | 0.61 (15.5) | 1.38 (35) | 4.71 (119.6) | ZSW2929 |
| 10,000 (44.5) | 6,000 (26.7) | 1.87 (47.6) | 7.02 (178.3) | 0.75 (19.05) | 0.63 (16) | 0.63 (16) | 1.74 (44.1) | 6.06 (154) | ZSW6122 |
| 16,000 (71.2) | 9,600 (42.7) | 2.44 (62) | 10.15 (257.7) | 1.00 (25.4) | 0.87 (22) | 1.12 (28.5) | 2.69 (68.4) | 8.74 (222) | ZSW6123 |
| 30,000 (134) | 18,000 (80) | 2.50 (63.5) | 11.13 (282.6) | 1.00 (25.4) | 0.87 (22.2) | 1.13 (28.6) | 2.75 (69.9) | 9.63 (244.5) | ZSW2857 |

Swivel and Cable Grip match-up

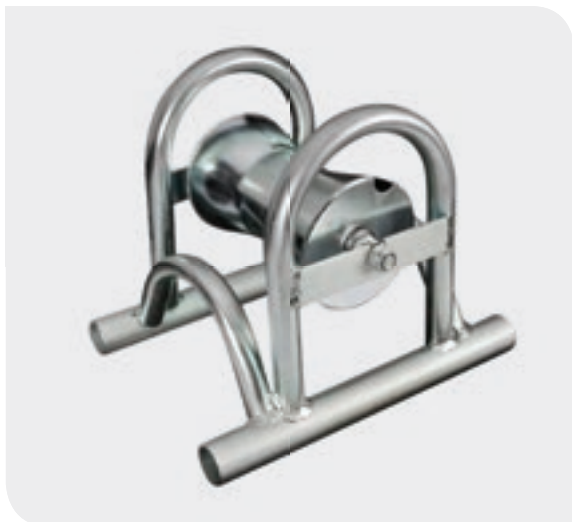
| Approx. breaking strength of cable grip lb (kN) | Cable grip colour code | Size range O.D. inches (mm) | Recommended swivel | Safe working load of swivel lb (kN) | Revolving Eye | Flexible Eye MU |
|---|------------------------|-----------------------------|--------------------|-------------------------------------|---------------|----------------------|
| LINE PULLING SWIVEL – STANDARD ENDS | | | | | | |
| 7,000 (31.1) | Dark green | 0.25 - 0.50 (6 - 12) | ZSW2092 | 3,500 (15.6) | ZCS2177 | ZCS1710 |
| 10,500 (46.7) | Brown | 0.50 - 0.75 (12 - 19) | ZSW2093 | 5,000 (22.2) | ZCS2178 | ZCS1711 |
| 14,100 (62.7) | Light blue | 0.75 - 1.00 (19 - 25) | ZSW2093 | 5,000 (22.2) | ZCS2179 | ZCS1712 |
| 25,000 (111.2) | Gold | 1.00 - 1.25 (25 - 32) | ZSW2096 | 10,000 (44.5) | ZCS2180 | ZCS1713 |
| 31,000 (137.9) | Black | 1.25 - 1.50 (32 - 38) | ZSW2096 | 10,000 (44.5) | ZCS2181 | ZCS1714 |
| 31,000 (137.9) | Red | 1.50 - 1.75 (38 - 44) | ZSW2096 | 10,000 (44.5) | ZCS2182 | ZCS1715 |
| 43,000-49,000 (191.3 - 218) | Dark blue | 1.75 - 2.25 (44 - 57) | ZSW2097 | 15,000 (66.7) | ZSC2183* | ZCS1716 ¹ |
| LINE PULLING SWIVEL – BULL NOSE | | | | | | |
| 7,000 (31.1) | Dark green | 0.25 - 0.50 (6 - 12) | ZSW2649 | 4,000 (17.8) | ZCS2177 | ZCS1710 |
| 10,500 (46.7) | Brown | 0.50 - 0.75 (12 - 19) | ZSW2929 | 5,000 (22.2) | ZCS2178 | ZCS1711 |
| 14,100 (62.7) | Light blue | 0.75 - 1.00 (19 - 25) | ZSW2929 | 5,000 (22.2) | ZCS2179 | ZCS1712 |
| 25,000 (111.2) | Gold | 1.00 - 1.25 (25 - 32) | ZSW6122 | 10000 (44.5) | ZCS2180 | ZCS1713 |
| 31,000 (137.9) | Black | 1.25 - 1.50 (32 - 38) | ZSW6122 | 10000 (44.5) | ZCS2181 | ZCS1714 |
| 31,000 (137.9) | Red | 1.50 - 1.75 (38 - 44) | ZSW6122 | 10000 (44.5) | ZCS2182 | ZCS1715 |
| 43,000*-49,000* (191.3 - 218) | Dark blue | 1.75 - 2.25 (44 - 57) | ZSW6123 | 16,000 (71.2) | ZSC2183* | ZCS1716 ¹ |

The above is intended as a rough guide. The recommended working load should be determined by the competent person(s) using the cable grip and/or Slingco swivel.

| Swivel or Connector Model | ZSW2091 | ZSW2092 | ZSW2093 | ZSW2094 | ZSW2096 ZSW6122 | ZSW2097 | ZSW2929 | ZSW2649 | ZSW2857 | ZSW6123 | ZSW6554 | ZSW6555 | ZSW6556 | ZSW6557 ZSW6558 ZSW6559 ZSW6560 |
|---------------------------|---------|---------|---------|---------|--------------------|---------|---------|---------|---------|---------|---------|---------|---------|--|
| Replacement Pin (HEX) | SWI2858 | SWI2810 | SWI2340 | SWI2341 | SWI2343 | SWI2344 | SWI2801 | SWI2648 | SWI2748 | SWI5184 | SWI2859 | SWI2339 | SWI5309 | SWI5310 |

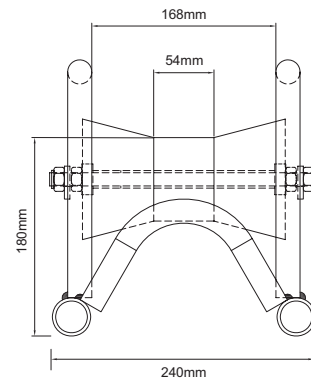
SAFETY NOTE: All Slingco Line Pulling Swivels are designed for straight line pulling and will not support side loads as would be encountered traveling over a bull wheel. Swivel selection should be based on pulling line diameter, grip size, opening dimensions, pin sizes, working load, and sheave groove diameter. Swivels are not designed for general lifting

BRIDGE TYPE CABLE ROLLER



They are of steel construction with zinc plating for general purpose cable installation work in trenches. They are suitable for power, telecoms and utility installations, and can bridge existing cables in trenches or ducts.

| Base footprint in (mm) | Height to top of roller in (mm) | Handle height in (mm) | Slingco Part No. |
|---------------------------|---------------------------------|-----------------------|------------------|
| 12 x 9 1/2 (305 x 240) | 7 1/8 (180) | 10 (255) | ZGP2395 |



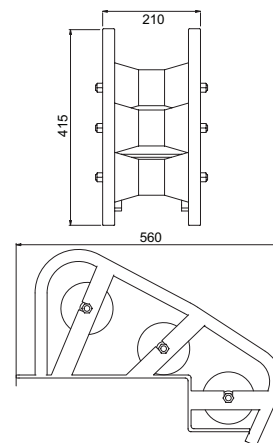
EDGE MOUNT MANHOLE LEAD-IN CABLE ROLLER (HEAVY DUTY)



The manhole cable roller leads the cable from the drum into the jointbox/manhole or the winch bond out of the manhole.

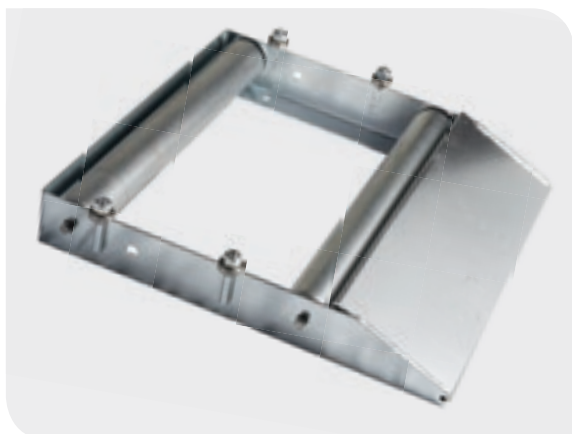
- Heavy duty tubular steel construction
- Suitable for cables up to 130mm
- 3 x 110mm diameter steel roller* fitted with sealed precision roller bearings
- Zinc plated
- Weight: 10 Kg

* The Diablo Rollers can be substituted with a heavy gauge 89mm tubular Steel Roller fitted with oil impregnated maintenance free bushes for use with the heavier cables.



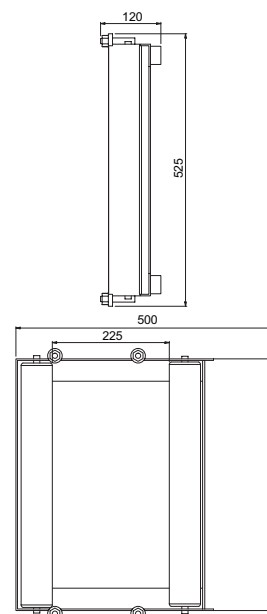
| Base Footprint (mm) | Height (mm) | Slingco Part No. |
|---------------------|-------------|------------------|
| 560 x 210 | 415 | ZGP8209 |

CABLE DRUM ROTATOR



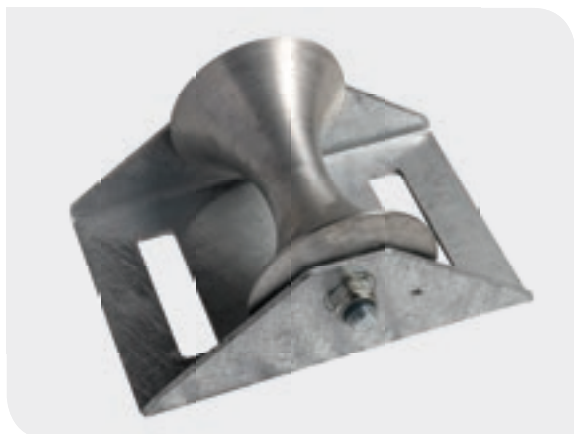
This is a compact light weight Cable Drum Rotator. Drums are simply rolled up the ramp on to the adjustable rollers to allow it to spin freely.

- Pressed steel construction
- Ideal for where space is limited.
- 60 mm diameter zinc plated rollers
- Sealed roller bearings fitted
- Spring loaded shafts for easy replacement/ adjustment
- Capacity 200 Kg
- Max / min drum size 800 / 300 mm
- Drum Width 450 mm
- Zinc plated finish
- Weight: 10.5 Kg



| Base Footprint (mm) | Height (mm) | Slingco Part No. |
|---------------------|-------------|------------------|
| 500 x 525 | 120 | ZGP8267 |

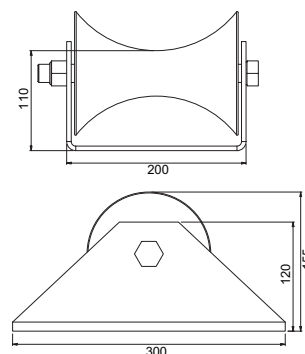
HEAVY DUTY 214MM STRAIGHT LINE CABLE ROLLER



The diablo is machined with a 107mm radius giving a maximum capacity of 214mm diameter.

- Heavy duty folded frame straight line roller
- Aluminium diablo roller with 78mm radius
- Sealed roller bearing and 20mm shaft
- Galvanised finish
- Weight : 7Kg

| Base Footprint (mm) | Height (mm) | Slingco Part No. |
|---------------------|-------------|------------------|
| 300 x 200 | 155 | ZGP8268 |



HEAVY DUTY TRIPLE CORNER CABLE ROLLER

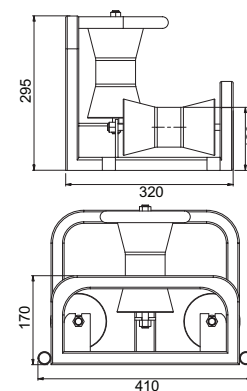


This is a heavy duty corner cable roller for use in most cable laying applications. They can be used singularly or linked together using link pins to form a full bend. All products in the bend roller range have the same link points to facilitate various bend/roller configurations.

- Heavy duty corner roller made from tubular sections
- 3 x 110mm diameter large waisted steel rollers*
- Sealed roller bearing fitted
- Zinc plated finish
- Universal link pin mount positions
- Weight 8.5Kg

* The diablo rollers can be substituted with a heavy gauge 89mm tubular steel roller fitted with oil impregnated maintenance free bushes.

| Base Footprint (mm) | Height (mm) | Slingco Part No. |
|---------------------|-------------|------------------|
| 410 x 320 | 295 | ZGP8269 |



EDGE MOUNT MANHOLE LEAD-IN CABLE ROLLER (LIGHT DUTY)

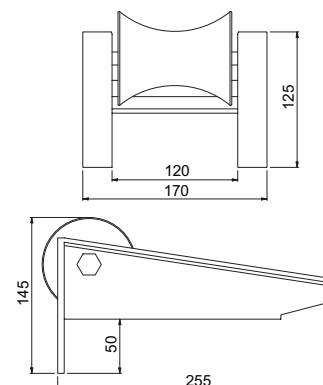


The manhole cable roller leads the cable from the drum into the jointbox/manhole or the winch bond out of the manhole. The roller has 2 hooks for location on the edge of the manhole.

- Heavy steel section construction
- 76mm diameter aluminium roller*
- Fitted with oil-impregnated maintenance-free bushes
- Sealed precision roller bearings
- Zinc plated or powder coated finish
- Weight 3Kg

*The aluminium roller can be substituted with a solid steel roller when using wire winch bond thus preventing damage.

| Base Footprint (mm) | Height (mm) | Slingco Part No. |
|---------------------|-------------|------------------|
| 255 x 170 | 145 | ZGP8210 |

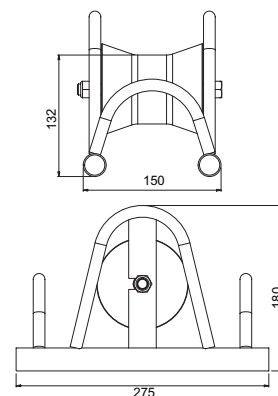


COMPACT 90MM BRIDGE TYPE CABLE ROLLER



This is a compact cable roller for use in narrow trenches and/or in confined areas

- Heavy duty tubular frame straight line bridge roller
- Fitted with hoops to fit over previously laid cables
- 76mm diameter aluminium roller
- Oil impregnated maintenance free bushes fitted
- Bright zinc plated finish
- 90mm diameter cable capacity
- Weight 2.5Kg



* The specification can be adjusted, if required, to suit your individual requirements.

| Base Footprint (mm) | Height (mm) | Slingco Part No. |
|---------------------|-------------|------------------|
| 275 x 150 | 180 | ZGP8270 |

FEED TUBE



Due to the tight construction of the cable grip, we recommend using the Slingco Feed Tube when inserting cable or rope into the A Type Cable grips. For ease of use, our feed tubes are colour-coded to match the A Type Cable grip.

| Tube to fit rope diameter in (mm) | Feed tube length in (mm) | Matches Slingco Cable Grip part no. | Cable grip colour | Slingco Part No. |
|-----------------------------------|--------------------------|-------------------------------------|-------------------|------------------|
| 0.25 - 0.65 (6 - 16) | 28 (713) | ZCS1799 | Black | FTU1890 |
| 0.50 - 0.90 (13 - 23) | 40 (1,018) | ZCS1800 | Dark green | FTU1891 |
| 0.75 - 1.10 (19 - 28) | 52 (1,324) | ZCS1801 | Red | FTU1892 |
| 1.00 - 1.50 (25 - 38) | 67 (1,706) | ZCS1802 | Dark blue | FTU1893 |
| 1.25 - 1.70 (32 - 43) | 83 (2,113) | ZCS1803 | Yellow | FTU1894 |
| 1.50 - 2.10 (38 - 53) | 96 (2,444) | ZCS1804 | Aluminium | FTU1895 |

C CONNECTORS



Use to connect rope, swivels and other objects.

| No. | Model | A (mm) | B (mm) | C (mm) | D (mm) | E (mm) | d (Pin dia) (mm) | Working load (KN) | Weight (kg) |
|-----|--------|--------|--------|--------|--------|--------|------------------|-------------------|-------------|
| 1 | SLU-1 | 36 | 68 | 18 | 14 | 29 | 10 | 10 | 0.2 |
| 2 | SLU-3 | 37 | 76 | 20 | 17 | 31 | 12 | 30K | 0.23 |
| 3 | SLU-5 | 50 | 96 | 23 | 19 | 42 | 18 | 50 | 0.6 |
| 4 | SLU-8 | 56 | 110 | 28 | 22 | 50 | 20 | 80 | 0.8 |
| 5 | SLU-10 | 59 | 126 | 30 | 26 | 54 | 22 | 100 | 1.2 |
| 6 | SLU-13 | 61 | 134 | 32 | 27 | 56 | 24 | 130 | 1.3 |
| 7 | SLU-25 | 80 | 178 | 44 | 35 | 72 | 30 | 250 | 3.0 |

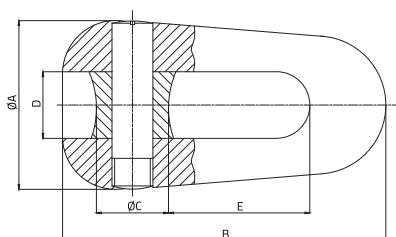
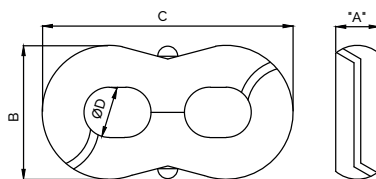


FIGURE OF 8 'SWING LINK' CONNECTOR

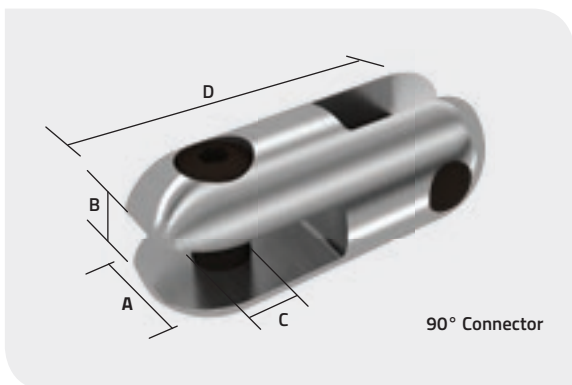


| A | | B | | C | | Ø D | | Approx. Break Load | | Slingco Part No. |
|------|----|------|----|------|-----|------|----|--------------------|------|------------------|
| in | mm | in | mm | in | mm | in | mm | lb | kg | |
| 0.50 | 13 | 1.62 | 41 | 3.25 | 83 | 0.62 | 16 | 10000 | 4537 | SWI4281 |
| 0.75 | 19 | 2.43 | 62 | 5.00 | 127 | 0.93 | 24 | 18000 | 8167 | SWI4282 |



90° SWIVEL CONNECTOR

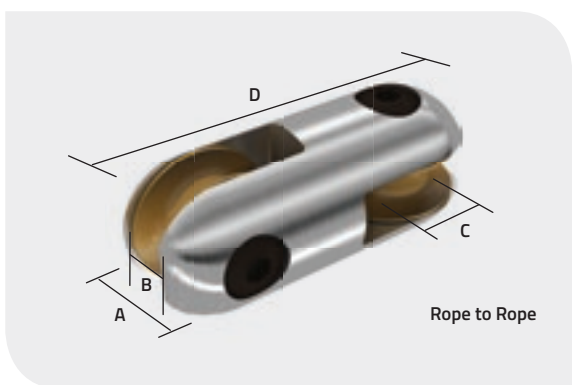
Use to connect rope, swivels and other objects. With high strength pins and smooth rollers you can safely connect rope without fear of fraying or damage. Use the convenient 90° connectors to link and other non-rope items. Connectors have high strength hex pins. The Rope to Rope connector has two rollers to protect rope from becoming frayed.



| Safe working load lb (kg) | A in (mm) | B in (mm) | C in (mm) | D in (mm) | Weight lb (kg) | Slingco Part No. |
|---------------------------|--------------|--------------|--------------|--------------|----------------|------------------|
| 2,500 (1,134) | 7/8 (22) | 3/8 (9.6) | 5/16 (8) | 2 1/8 (54.0) | 0.17 (0.08) | ZSW6554 |
| 5,000 (2,240) | 1 1/4 (31.8) | 17/32 (13.5) | 13/32 (10) | 2 7/8 (73.0) | 0.46 (0.21) | ZSW6555 |
| 9,000 (4,030) | 1 1/2 (38.1) | 19/32 (15) | 1/2 (12.5) | 3 3/8 (86) | 0.73 (0.33) | ZSW6556 |
| 15,000 (6,800) | 2 (50.8) | 25/32 (20) | 11/16 (18.0) | 4 9/16 (116) | 2.00 (0.91) | ZSW6557 |

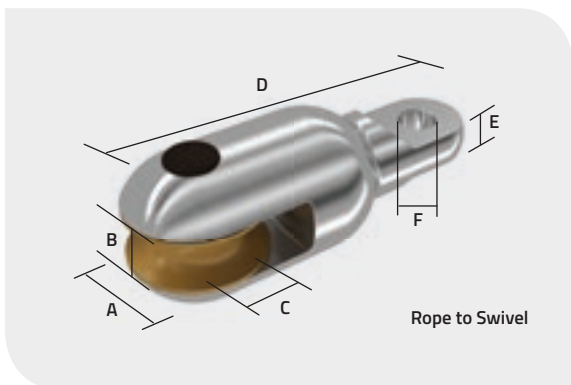
ROPE TO ROPE CONNECTOR

The Rope to Rope connector has two rollers to protect rope from becoming frayed.



| Safe working load lb (kg) | Max rope dia. in (mm) | A in (mm) | B in (mm) | C in (mm) | D in (mm) | Weight lb (kg) | Slingco Part No. |
|---------------------------|-----------------------|-----------|------------|------------|-------------|----------------|------------------|
| 15,000 (6,800) | 7/8 (22.2) | 2 (50.8) | 15/16 (24) | 11/16 (18) | 5 1/2 (140) | 2.70 (1.23) | ZSW6558 |

ROPE TO SWIVEL CONNECTOR



| Safe working load lb (kg) | Max rope dia. in (mm) | A in (mm) | B in (mm) | C in (mm) | D in (mm) | E in (mm) | F in (mm) | Weight lb (kg) | Slingco Part No. |
|---------------------------|-----------------------|-----------|------------|------------|--------------|--------------|--------------|----------------|------------------|
| 7,000 (3,170) | 7/8 (22.2) | 2 (50.8) | 15/16 (24) | 11/16 (18) | 5 5/16 (135) | 1/2 (12.7) | 17/32 (13.5) | 2.70 (1.23) | ZSW6559 |
| 15,000 (6,800) | 7/8 (22.2) | 2 (50.8) | 15/16 (24) | 11/16 (18) | 5 3/8 (137) | 21/32 (16.7) | 3/4 (18) | 2.00 (0.91) | ZSW6560 |

SWIVEL TESTER



Evaluates new swivels and checks the integrity of existing swivels during their operational life.

Unlike many tools used in electrical transmission work, it's difficult to see the wear and tear that occurs inside a line swivel. The ability to perform testing on a batch of swivels that have been used previously allows you to proof load them prior to use.

- Simulates working load operational conditions
- Tests swivels up to 30,000 lb load
- Accurate to +/- 1%
- Simple to operate

TOOLS, BUCKLES AND BANDS FOR QUICK AND EFFICIENT BANDING OF CABLE GRIPS, HOSES AND MORE

Slingco Banding Tools deliver a fast and easy way to install banding clamps. Designed for fast and efficient installation of steel bands for cable grips, hoses and many other applications, their drop-forged construction and comfortable design makes them quick and easy to use and guarantee a long and useful tool life.

We offer three different tool options, with bands and buckles available for each (order separately). See opposite for the bands and buckles suited to each tool type.

In addition to our range of steel bands available from stock we can also manufacture custom sizes if required. Please call with your requirements.

Slingco Fast Banding Tool



WITH PRE-LOOPED BANDS FOR QUICKLY SECURING GRIPS AND OTHER SIMPLE BANDING APPLICATIONS

Our Fast Banding Tool uses pre-looped punch-style bands for quick and secure banding of cable grips, hoses and other cylindrical items.

FAST BANDING: PRE-LOOPED BANDS FOR QUICKLY



CPC2875

Slingco Light Duty Banding Tool



FOR UTILITY POLE AND OTHER LIGHT DUTY POLE BANDING APPLICATIONS

Featuring a built-in cutter with PVC coated handle for comfort, and a sliding block assembly with spring loaded lever. Operates on band widths 3/8" to 3/4" and thicknesses up to 0.030".

LIGHT DUTY BANDING: UTILITY POLE AND OTHER



CPC8748

Slingco Heavy Duty Banding Tool



FOR UTILITY POLE AND OTHER HEAVY DUTY BANDING APPLICATIONS

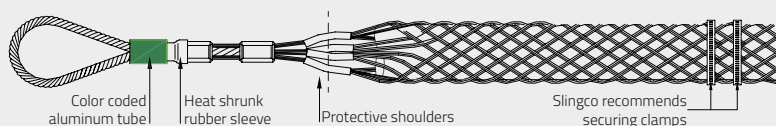
Featuring a built-in cutter and a sliding block assembly. Operates on band widths 3/4", 1", and 1-1/4" and thickness of 0.044".

HEAVY DUTY BANDING: UTILITY POLE AND OTHER



CPC8780

Note: Slingco recommends double banding the ends of cable grips.



SECURING GRIPS AND OTHER SIMPLE BANDING APPLICATIONS

Use pre-looped punch style bands to quickly and securely band cable grips, hoses or other cylindrical items.

The bands are pre-looped through the buckle to slide over the end of the item being banded. Just tighten the band using the Slingco Punch Banding Tool then, when the band is tight, just punch the head of the tool and snip off the extra banding. Simple!

The sizes opposite refer to the inner loop diameter of the band. Select the size that will comfortably fit over the item being banded.

Open End Band – non pre-looped 201 SS 5/8" wide band with attached buckle. Includes punch style buckle. Use as single loop for larger diameter or double looped for smaller diameters and added strength. Maximum diameter for single or double loops is listed.

| Banding tool | | | | | |
|------------------------------------|-----------|---------------|----------------------------------|------------------|------------------|
| Description | | | | | Slingco Part No. |
| Standard punch-style banding tool. | | | | | CPC2875 |
| Bands Pre-Looped | | | | | |
| Width | Thickness | Loop diameter | Pack quantity | Slingco Part No. | |
| 3/8" | 0.025" | 13/16" | 100/box | CPC2876 | |
| 5/8" | 0.030" | 1" | 100/box | CPC2880 | |
| 5/8" | 0.030" | 1.5" | 100/box | CPC2879 | |
| 5/8" | 0.030" | 2.0" | 100/box | CPC2878 | |
| 5/8" | 0.030" | 2.5" | 50/box | CPC2877 | |
| 5/8" | 0.030" | 3.0" | 50/box | CPC8532 | |
| Open End Band – 201 SS | | | | | |
| Width | Thickness | Length | Loop diameter | Pack quantity | Slingco Part No. |
| 5/8" | 0.030" | 24" | 6" Single Wrap 3" Double Wrap | 50/box | CPC08596 |

LIGHT DUTY POLE BANDING APPLICATIONS

Use Slingco 3/4" wide 201 Stainless Steel, or the 1/2" wide 316 Stainless Steel, banding system to secure cables and other items to Utility poles, Light stands or other structures. The Light Duty Banding Tool allows you to easily tighten and secure any length band loop.

Slingco offers rolls of 3/4" and 1/2" wide banding material in 100 foot lengths. These 100 foot band rolls come in two convenient packages – standard stack-and-store cardboard packaging, or an easy to carry red plastic tote for the 3/4" and a blue plastic tote for the 1/2".

The buckles used to secure these bands are made of 201 Stainless Steel and designed for 3/4" width bands, and 316 Stainless Steel designed for 1/2" bands.



| Banding tool | | | | | |
|---|---------------|--------------------|-------------------------------|------------------|------------------|
| Description | | | | | Slingco Part No. |
| Operates on band widths 3/8" to 3/4" and thickness up to 0.030". Tool has a built in cutter with PVC coated handle for comfort and sliding block assembly with spring loaded lever. | | | | | CPC8748 |
| Bands | | | | | |
| Width | Thickness | Avg break strength | Pack quantity | Weight | Slingco Part No. |
| 3/4" | 0.030" | 2250 lb | 100' roll - Cardboard Box | 7.7 lb | CPC8743 |
| 3/4" | 0.030" | 2250 lb | 100' roll - Red Plastic Tote | 7.7 lb | CPC8744 |
| 1/2" | 0.030" | 1200 lb | 100' roll - Cardboard Box | 5.1 lb | CPC08325 |
| 1/2" | 0.030" | 1200 lb | 100' roll - Blue Plastic Tote | 5.9 lb | CPC08326 |
| Buckles | | | | | |
| Width | Pack quantity | Weight | | Slingco Part No. | |
| 3/4" | 100/Box | 3.7 lb | | CPC8746 | |
| 1/2" | 100/Box | 2.5 lb | | CPC08327 | |

HEAVY DUTY BANDING APPLICATIONS

Use the Slingco 1-1/4" 201 Stainless Steel Banding system to secure cables and other items to structures and poles where extra strength hold is required. The Heavy Duty Banding Tool allows you to easily tighten and secure any length band loop.

Perfect for use with concrete utility poles. The extra width of this band provides stronger tensile strength than the 3/4" band as well as a wider holding surface. Useful in many application environments including Utility, Marine and manufacturing where securely attaching cables, hoses or tubes onto a cylindrical object is needed. 100 ft. band roll comes in easy to stack and store cardboard box.

Giant buckles are made of 201 Stainless Steel and designed for use with 1-1/4" wide bands.

| Banding tool | | | | | |
|--|---------------|------------------------|--------------------------------------|------------------|------------------|
| Description | | | | | Slingco Part No. |
| Operates on bands widths 3/4", 1", and 1-1/4" and thickness of 0.044". Featuring a built-in cutter and a sliding block assembly. | | | | | CPC8780 |
| Bands | | | | | |
| Width | Thickness | Average break strength | Pack quantity | Weight | Slingco Part No. |
| 1-1/4" | 0.044" | 5500 lb | 100' roll in CARDBOARD BOX PACKAGING | 17.2 lb | CPC8745 |
| Buckles | | | | | |
| Width | Pack quantity | Weight | | Slingco Part No. | |
| 1-1/4" | 25/Box | 3.2 lb | | CPC8747 | |

TRANSMISSION LINE STRINGING

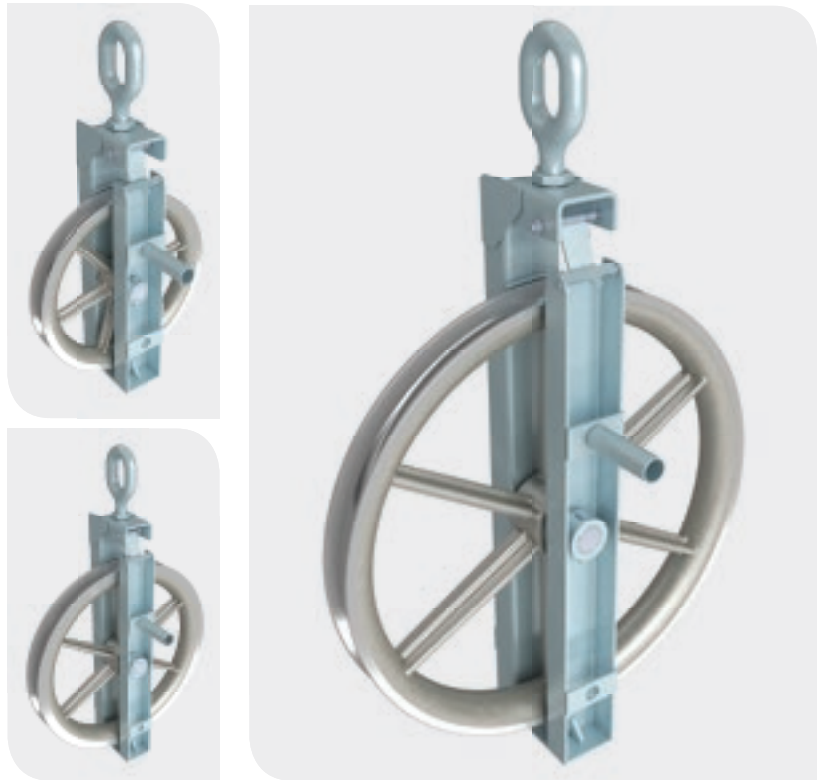
These single sheave running blocks are designed predominantly for use on the 132kV network for DNOs, enabling smooth handling of both new construction and refurbishment projects.

On the external layer of a standard specification Aluminium Conductor Steel Reinforced (ACSR) cable, the strands are relatively soft and easily marked, especially if the sheave is in poor condition and of the incorrect profile. Slingco-designed running blocks - built to IEEE524 - incorporate a number of key features to protect the conductor and avoid unnecessary damage.

The specification stated in IEEE524 is to observe a minimum sheave diameter equal to 20D hence we recommend sheaves of 12", 18" and 21" diameters.

In addition to our range of standard diameters, bespoke configurations can be produced via our Design Engineering Department, with fully customised blocks designed from scratch to suit your application.

- Structural aluminium frame to reduce overall weight
- Customised gate opening feature for ease of installation
- Symmetrical design ensures balance through the pull
- Sheaves are evenly spaced through the block
- Independently type tested to ensure compliance with Slingco specifications



| Conductor name | Nominal aluminium area (mm) | Material code | Stranding | Strand diameter (mm) | Actual area (mm ²) | Conductor diameter (mm) | Non-breaking load |
|----------------|-----------------------------|---------------|-----------|----------------------|--------------------------------|-------------------------|-------------------|
| Horse | 70 | ACSR | 12/7 | 2.79 | 116.2 | 13.95 | 61.2 |
| Keziah | 160 | AACSR | 30/7 | 2/79 | 226.2 | 19.53 | 102 |
| Lynx | 175 | ACSR | 30/7 | 2.79 | 226.2 | 19.53 | 79.8 |
| Upas | 300 | AAAC | 37 | 3.53 | 362.2 | 24.71 | 101.5 |



UNFORTUNATELY, THIS PRODUCT IS NOT AVAILABLE IN THE USA

ADJUSTABLE ARRAY ROLLER

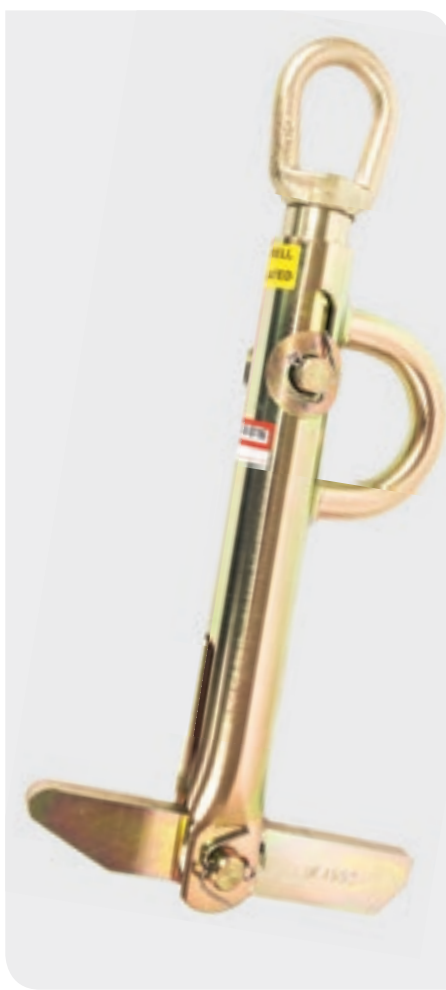
This new device eliminates the need for a lifting system and replaces standard running blocks with a new type of proven roller featuring an adjustment that allows the conductor to be raised and lowered directly into the suspension shoe. Consequently, operation times and the need for large amounts of equipment are substantially reduced.

The use of the Array Roller has already been proved on the National Grid network, delivering substantial efficiencies when removing or replacing suspension fittings on standard suspension arrangements.

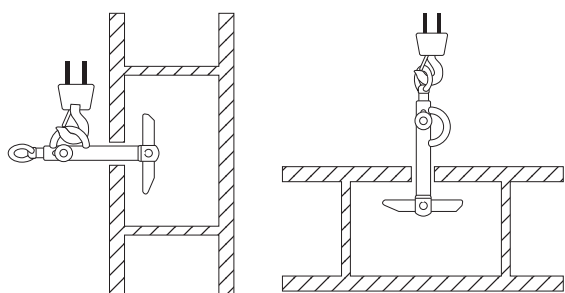
Use of this technological development on the National Grid trial site demonstrated an 80% time saving, hence roll-out across the network could see huge benefits in reducing overall project timescales.



REEL LIFTER



The Slingco Reel Lifter is a high capacity, compact unit that allows users in the utility construction industry to safely load, transport, and dispense wire and/or cable on-site. It is also used in many industrial applications to make moving and relocating reels in a warehouse easy. Now a task that normally used a team of three or four people can be done with just one, allowing the crew to operate more efficiently!



- Makes handling large cable reels quick and easy, on-site or in warehouses.
- Rugged construction to lift and upend reels
 - Easy rotation to unroll cable
 - Counterweighted bottom arm for easy insertion in reel
 - Side lifting eye allows reels to be put into a rolling or non-rolling position
 - Repair kits available

| Reel Lifter | | | | | |
|--|-----------------------|---------------|-------------|--------------|------------------|
| Arbor Hole Min. (ins) | Arbor Hole Max. (ins) | Capacity (lb) | Weight (lb) | Length (ins) | Slingco Part No. |
| 2 | 4 | 3,000 | 6.50 | 16 1/8 | ZLD08729 |
| 3 | 6 | 5,000 | 14.50 | 21 1/8 | ZLD09186 |
| 3 | 6 | 12,000 | 32.5 | 30 1/2 | ZLD10807 |
| Reel Lifter Repair Kit | | | | | |
| 3,000lb factory repair kit with extension springs, cable assemblies and all necessary pins for replacement of the interior cable system. Suitable for ZLD08729. | | | | | ZLD09708 |
| 5,000lb factory repair kit with extension springs, cable assemblies and all necessary pins for replacement of the interior cable system. Suitable for ZLD09186. | | | | | ZLD09707 |
| 12,000lb factory repair kit with extension springs, cable assemblies and all necessary pins for replacement of the interior cable system. Suitable for ZLD08729. | | | | | ZLD11126 |

HAND LINE TOOLS

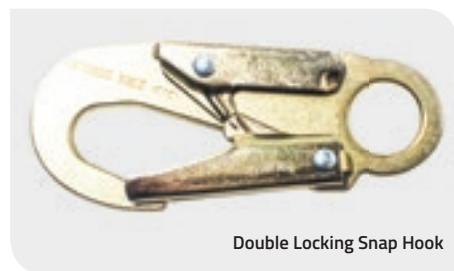


3" Hand Line Block

Slingco's Hand Line Tools feature a 3" nylon fiberglass block, with a safe working load limit of 1,000 lb, and a double locking snap with a safe working load limit of 5,000 lb.

Our 3" Hand Line Block's sheave can accommodate a 5/8" diameter rope, and operates smoothly on the 1/2" diameter axle and swivel bearings. The side opening feature allows quick access to remove the hand line.

| Description | Working Load Limit (lb) | Slingco Part No. |
|---------------------|-------------------------|------------------|
| 3" Hand Line Block | 1,000 | ZAB8725 |
| Double Locking Snap | 5,000 | HMI8556 |



Double Locking Snap Hook

60 TON HYDRAULIC CRIMPING TOOLS



Slingco's Hydraulic Crimping Tools are designed to crimp sleeves and lugs on ACSR and ACAR transmission & distribution cables using dies that meet the standards of the utility industry. Our crimping tools are ideal for use in constructing substations and transmission lines.

The Single-Acting Crimping Tool uses hydraulic pressure to advance the ram into position, and an internal spring to return the ram to the original position. The Double-Acting Crimping Tool advances and returns the ram using hydraulic pressure alone, eliminating the possibility of the ram sticking or becoming jammed.

Our Hydraulic Crimping Tools come in a steel carrying case, and are lightweight and portable. Our crimping tools accept Slingco S60 Dies, or any shell-type dies used with Alcoa or Burndy 60-ton crimping tools.

- Accepts Burndy L and Alcoa 6000 Series dies
- Steel Carrying Case Includes Ground Stand
- Lifting eye for hoist work
- For Crimping ACSR and ACAR transmission and distribution cables

| Slingco Part No. | Tool Type | Crimp Force (Tons) | Operating Pressure |
|------------------|---------------|--------------------|----------------------|
| TCR7003 | Single Action | 60 | 10,000 psi (700 bar) |
| TCR7018 | Double Action | 60 | 10,000 psi (700 bar) |

| Slingco Ref. | Alcoa Equiv. | Slingco Part No. |
|--------------|--------------|------------------|
| S60-10SH | 6010SH | TCR7067 |
| S60-12SH | 6012SH | TCR7068 |
| S60-14SH | 6014SH | TCR7069 |
| S60-16SH | 6016SH | TCR7070 |
| S60-18SH | 6018SH | TCR7071 |
| S60-20SH | 6020SH | TCR7072 |
| S60-24SH | 6024SH | TCR7073 |
| S60-27SH | 6027SH | TCR7074 |

| Slingco Ref. | Alcoa Equiv. | Slingco Part No. |
|--------------|--------------|------------------|
| S60-26SH | 6026SH | TCR7075 |
| S60-28SH | 6028SH | TCR7076 |
| S60-30SH | 6030SH | TCR7077 |
| S60-32SH | 6032SH | TCR7078 |
| S60-34SH | 6034SH | TCR7079 |
| S60-36SH | 6036SH | TCR7080 |
| S60-38SH | 6038SH | TCR7081 |
| S60-40SH | 6040SH | TCR7082 |

| Slingco Ref. | Alcoa Equiv. | Slingco Part No. |
|--------------|--------------|------------------|
| S60-42SH | 6042SH | TCR7083 |
| S60-44SH | 6044SH | TCR7084 |
| S60-46SH | 6046SH | TCR7085 |
| S60-48SH | 6048SH | TCR7086 |
| S60-50SH | 6050SH | TCR7087 |
| S60-52SH | 6052SH | TCR7088 |
| S60-54SH | 6054SH | TCR7089 |
| S60-56SH | 6056SH | TCR7090 |

| Slingco Ref. | Alcoa Equiv. | Slingco Part No. |
|--------------|--------------|------------------|
| S60-11CD | 6011CD | TCR7091 |
| S60-12CD | 6012CD | TCR7092 |
| S60-13CD | 6013CD | TCR7093 |
| S60-14CD | 6014CD | TCR7094 |
| S60-15CD | 6015CD | TCR7095 |
| S60-16CD | 6016CD | TCR7096 |
| S60-17CD | 6017CD | TCR7097 |

MECHANICAL CRIMPING TOOLS



Slingco's Mechanical Crimping Tools have been created to complete the variety of utility distribution service connections that need to be made on the line, pole, and home. Our crimping tools have been designed to provide reliable crimps installing full-tension or non-tension connectors.

Slingco's Mechanical Crimping Tool's 'D3' groove allows 'W' style die inserts for installing taps, splices, and terminal connectors. The 'W' die inserts lock securely and easily into place with the positive lock, spring-loaded die buttons. Slingco also offers a Mechanical Crimping Tool that accepts Kearney type dies.

Our Mechanical Crimping Tools also have ergonomic handles for comfortable use and maximum leverage when making critical connections.

| Tool Type | Crimp Force (lb) | Length (in) | Weight (lb) | Slingco Part No. |
|--|------------------|-------------|-------------|------------------|
| O&D | 9,000 | 25.75 | 7 | TCR7002 |
| BG&D | 9,000 | 25.75 | 7 | TCR7004 |
| 5/8 Nose Die & Kearney Seat (Accepts 'Kearney' type) | 9,000 | 25.75 | 7 | TCR08732 |

Slingco W-Die Sets (D3 Insert)

| Slingco Ref. | Burndy Equiv. | Slingco Part No. |
|--------------|---------------|------------------|
| S6-K840 | WK840 | TCR7020 |
| S6-BG | WBG | TCR7021 |
| S6-O | WO | TCR7022 |

| Slingco Ref. | Burndy Equiv. | Slingco Part No. |
|--------------|---------------|------------------|
| S6-247 | W247 | TCR7023 |
| S6-249 | W249 | TCR7024 |

STANDARD CABLE PROTECTORS



The Slingco Cable Protector has been purpose-designed for use on the wide range of cables, lines and umbilicals that have to be conveyed in and out of well-bores. Its innovative, streamlined form minimises the risk of downhole hang-ups to ensure maximum operational productivity. Each protector features an eight-point friction pad gripping system that provides a secure, reliable grip to enable the safe, quick and effective conveying and securing of ESP cables, control lines, umbilicals and encapsulated bundles.

MID-JOINT CABLE PROTECTORS



The Mid-Joint Cable Protector is installed between joints of down-hole tubing strings, and is often used in conjunction with other cable protectors to further secure and protect cables or lines from damage.

BANDED CABLE PROTECTORS



These lightweight, stamped steel protective cable guards offer a compact, low-cost alternative to our standard Cable Protectors. Designed for use in shallow wells with little to no deviation, the protectors are situated across the coupling and attached to the tubing string with steel bands.

CENTRALISING CABLE PROTECTORS



This versatile 'hybrid' product is designed to fulfil the dual role of cable protection and centralisation, ensuring both can be achieved as quickly and efficiently as possible. As with the other cable protectors in our range, the Centralising Cable Protector is available in standard and specialized configurations.

BOW SPRING CENTRALISERS

Specially designed for vertical wells where low principal forces and high restoring forces are required, this one-piece design simplifies installation onto casings. The Bow Spring Centraliser is available in multiple sizes and blade configurations.

Standard Bow Spring Centraliser



High Performance Bow Spring Centraliser



RIGID CENTRALISERS

Designed to ensure concentricity and standoff in deviated and horizontal wells, this one-piece Centraliser minimises differential sticking. As with other Centralisers in our range the Rigid Centraliser is available in multiple sizes and blade configurations.

One Piece Rigid Centraliser



Welded Rigid Centraliser

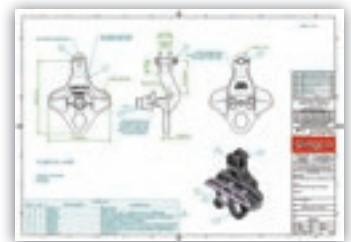




Slingco suspension conductor clamps provide safe and quick installation and removal of the conductor when attached to the insulator. A single fastener fully opens and closes the jaw. The clamps come in a variety of sizes to accommodate conductors from 0.16 to 1.50 inch diameter, and loadings of up to 18,000 lbs. To prevent loss, all moving parts of the clamps are captive.



Depending on size, the clamps are either made from heat treated aluminum alloy 356-T6 or ductile iron 60-45-15 and hot dip galvanized for corrosion resistance.



THE SOLUTION APPROACH

HOW WE ARE DIFFERENT

We work with Utilities and Contractors through distributors to provide a cost-saving approach to Pole Line Hardware.

Instead of simply offering a range that's similar to what's already in use, we offer an equivalent to standards-compliant products, manufactured to the exact specifications you need.

This makes transition to the Slingco brand easy, but also gives standards engineers the opportunity to

work with us on new projects and designs.

Once the Pole Line hardware is approved, we keep the product in stock for immediate shipping whenever needed.

This is a new approach, already successfully introduced into other industries by Slingco, that we're now delighted to bring to the OHL and related markets.

GENERAL ASSEMBLIES

Whatever your industry, whether you're looking for a simple wire rope sling or a complete rigging system, we offer literally thousands of products - off-the-shelf or custom made to order - for fast delivery. We can also supply component parts, such as wire rope, wire grips or ferrules.

All have the same common qualities: exceptional raw materials, cutting edge design and the industry's best people. The result is a product that - whatever the application - you can trust to perform.



GALVANISED WIRE ROPE



Galvanized wire rope supplied with a 7x7 wire strand core and 7x19 wire strand core construction. The 7 x7, although quite flexible and versatile is not as flexible as the 7 x 19, but benefits from slightly better strength characteristics

Supplied in a range of diameters wound on individual drums in 50m or 100m lengths.

| Diameter (mm) | 50 m | 100 m |
|----------------------------|----------|----------|
| 7 X 7 CONSTRUCTION | | |
| 1.0 | WRS08981 | WRS08982 |
| 1.5 | WRS08983 | WRS08984 |
| 2.0 | WRS08985 | WRS08986 |
| 2.5 | WRS08987 | WRS08988 |
| 3.0 | WRS08989 | WRS08990 |
| 4.0 | WRS08991 | WRS08992 |
| 5.0 | WRS08993 | WRS08994 |
| 6.0 | WRS08995 | WRS08996 |
| 7 X 19 CONSTRUCTION | | |
| 3.0 | WRS08997 | WRS08998 |
| 4.0 | WRS08999 | WRS09000 |
| 5.0 | WRS09001 | WRS09002 |
| 6.0 | WRS09003 | WRS09004 |
| 8.0 | WRS09005 | WRS09006 |
| 10.0 | WRS09007 | WRS09008 |
| 12.0 | WRS09009 | WRS09010 |

STAINLESS STEEL WIRE ROPE



Stainless steel wire rope supplied with a 7x7 wire strand core and 7x19 wire strand core construction. The 7 x7, although quite flexible and versatile is not as flexible as the 7 x 19, but benefits from slightly better strength characteristics. The 1 x19 has a strand construction and has the highest strength of the three stainless steel wires, although it is slightly less flexible than the other two.

Supplied in a range of diameters wound on individual drums in 50m or 100m lengths.

| Diameter | 50 m | 100 m |
|----------------------------|----------|----------|
| 7 X 7 CONSTRUCTION | | |
| 1.5 | WSS09011 | WSS09012 |
| 2.0 | WSS09013 | WSS09014 |
| 3.0 | WSS09015 | WSS09016 |
| 4.0 | WSS09017 | WSS09018 |
| 5.0 | WSS09019 | WSS09020 |
| 6.0 | WSS09021 | WSS09022 |
| 1 X 19 CONSTRUCTION | | |
| 2.0 | WSS09023 | WSS09024 |
| 3.0 | WSS09025 | WSS09026 |
| 4.0 | WSS09027 | WSS09028 |
| 5.0 | WSS09029 | WSS09030 |
| 6.0 | WSS09031 | WSS09032 |
| 7 X 19 CONSTRUCTION | | |
| 2.0 | WSS09033 | WSS09034 |
| 3.0 | WSS09035 | WSS09036 |
| 4.0 | WSS09037 | WSS09038 |
| 5.0 | WSS09039 | WSS09040 |
| 6.0 | WSS09041 | WSS09042 |

GALVANISED HEART SHAPED THIMBLE TO BS464/1

Available to suit wire diameters from 6 – 24mm.

| Wire dia (mm) | L (mm) | W (mm) | Slingco Part No. |
|---------------|--------|--------|------------------|
| 6 | 27 | 16 | THI2673 |
| 8 | 33 | 22 | THI1996 |
| 10 | 38 | 25 | THI0656 |
| 12 | 44 | 31 | THI00843 |
| 16 | 58 | 41 | THI2080 |
| 20 | 73 | 50 | THI2638 |
| 22 | 82 | 56 | THI08882 |
| 24 | 108 | 69 | THI08883 |

ELECTRO GALVANISED COMMERCIAL PATTERN THIMBLE

Available to suit wire diameters from 3 – 26mm.

| Wire dia (mm) | L (mm) | W (mm) | Slingco Part No. |
|---------------|--------|--------|------------------|
| 3-4 | 21 | 13 | THI0334 |
| 5 | 23 | 14 | THI0335 |
| 6 | 25 | 16 | THI0336 |
| 8 | 31 | 20m,m | THI0337 |
| 10 | 39 | 23 | THI0338 |
| 12 | 44 | 28 | THI0339 |
| 14 | 53 | 32 | THI08884 |
| 16 | 58 | 36 | THI08885 |
| 18 | 64 | 40 | THI08886 |
| 20-22 | 78 | 48 | THI08887 |
| 24-26 | 99 | 60 | THI08888 |

STAINLESS STEEL WIRE ROPE THIMBLE

Available to suit wire diameters from 2 – 24mm.

| Wire dia (mm) | L (mm) | W (mm) | Slingco Part No. |
|---------------|--------|--------|------------------|
| 2 | 12 | 7 | THS08889 |
| 3 | 17 | 10 | THS08890 |
| 4 | 18 | 11 | THS08891 |
| 5 | 20 | 13 | THS08892 |
| 6 | 26 | 15 | THS3249 |
| 8 | 33 | 18 | THS2775 |
| 10 | 43 | 23 | THS08893 |
| 12 | 48 | 27 | THS08894 |
| 16 | 57 | 38 | THS08895 |
| 20 | 75 | 45 | THS08896 |
| 22 | 84 | 52 | THS08897 |
| 24 | 96 | 56 | THS08898 |

ELECTRO GALVANIZED WIRE ROPE GRIP DIN 741



Available to suit wire diameters from 3 – 25mm.

| Wire dia (mm) | D (mm) | H (mm) | W (mm) | Slingco Part No. |
|---------------|--------|--------|--------|------------------|
| 3 | M4 | 10 | 21 | BDG0001 |
| 4/5 | M5 | 10 | 24 | BDG0008 |
| 6 | M5 | 11 | 26 | BDG0002 |
| 8 | M6 | 15 | 30 | BDG0004 |
| 10 | M8 | 19 | 37 | BDG0005 |
| 12 | M10 | 23 | 44 | BDG0006 |
| 16 | M12 | 28 | 52 | BDG0010 |
| 19 | M12 | 34 | 58 | BDG0007 |
| 22 | M14 | 35 | 64 | BDG0011 |
| 25 | M14 | 38 | 68 | BDG0009 |

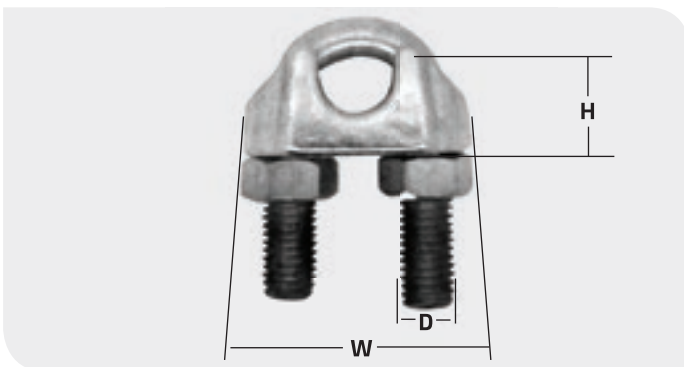
ELECTRO GALVANIZED HEAVY PATTERN WIRE ROPE GRIP DIN 1142



Available to suit wire diameters from 5 – 16mm.

| Wire dia (mm) | D (mm) | H (mm) | W (mm) | Slingco Part No. |
|---------------|--------|--------|--------|------------------|
| 5 | M5 | 13 | 25 | BDG3093 |
| 6 | M6 | 14 | 30 | BDG3689 |
| 8 | M8 | 18 | 39 | BDG08899 |
| 10 | M8 | 21 | 40 | BDG6911 |
| 13 | M10 | 25, | 50 | BDG08900 |
| 16 | M14 | 35 | 64 | BDG08901 |

STAINLESS STEEL WIRE ROPE GRIP DIN 741

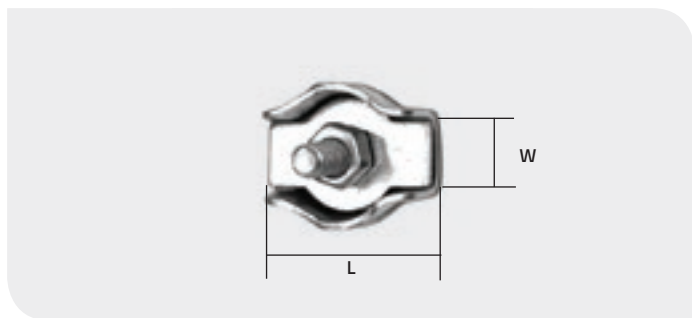


Available to suit wire diameters from 2 – 25mm.

| Wire dia (mm) | D (mm) | H (mm) | W (mm) | Slingco Part No. |
|---------------|--------|--------|--------|------------------|
| 2 | M3 | 9 | 16 | BDS0623 |
| 3 | M4 | 10 | 21 | BDS0526 |
| 4 | M4 | 10 | 21 | BDS4778 |
| 5 | M5 | 10 | 23 | BDS0525 |
| 6 | M5 | 11 | 26 | BDS1934 |
| 8 | M6 | 15 | 15 | BDS3210 |
| 10 | M8 | 17 | 17 | BDS09131 |
| 13 | M10 | 21 | 21 | BDS09132 |
| 16 | M12 | 26 | 26 | BDS09133 |
| 19 | M12 | 30 | 30 | BDS09134 |
| 25 | M14 | 37 | 37 | BDS09135 |

SIMPLEX WIRE ROPE GRIP

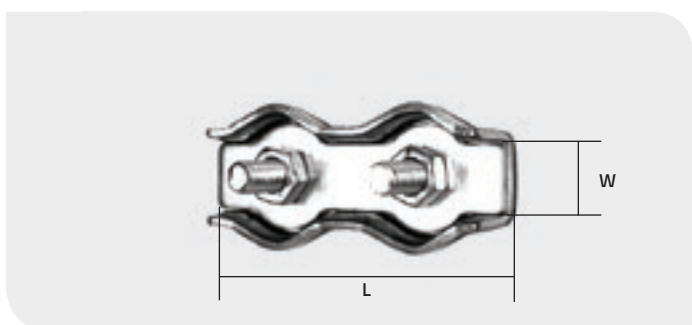
Available to suit wire diameters from 2 – 6mm.



| Wire dia (mm) | L (mm) | W (mm) | Slingco Part No. |
|---------------------------------|--------|--------|------------------|
| ZINC PLATED | | | |
| 2 | 17.5 | 7.5 | XWC01044 |
| 3 | 17.5 | 10 | XWC01045 |
| 4 | 22 | 12 | XWC01046 |
| 5 | 24 | 14 | XWC01047 |
| 6 | 30 | 17 | XWC01048 |
| STAINLESS STEEL AISI 316 | | | |
| 2 | 15 | 12 | XWC01049 |
| 3 | 18 | 14 | XWC01050 |
| 4 | 20 | 18 | XWC01051 |
| 5 | 25 | 20 | XWC0148 |
| 6 | 30 | 24 | XWC01052 |

DUPLEX WIRE ROPE GRIP

Available to suit wire diameters from 2 – 6mm.



| Wire dia (mm) | L (mm) | W (mm) | Slingco Part No. |
|---------------------------------|--------|--------|------------------|
| ZINC PLATED | | | |
| 2 mm | 38 mm | 7.5 mm | XDC01053 |
| 3 mm | 38 mm | 10 mm | XDC01054 |
| 4 mm | 47 mm | 12 mm | XDC0655 |
| 5 mm | 51 mm | 14 mm | XDC01055 |
| 6 mm | 63 mm | 17 mm | XDC0336 |
| STAINLESS STEEL AISI 316 | | | |
| 2 mm | 30 mm | 12 mm | XWC01056 |
| 3 mm | 36 mm | 14 mm | XWC01057 |
| 4 mm | 40 mm | 18 mm | XWC01058 |
| 5 mm | 50 mm | 20 mm | XWC0404 |
| 6 mm | 60 mm | 24 mm | XWC01059 |

ALUMINIUM FERRULES TO DIN SPECIFICATION



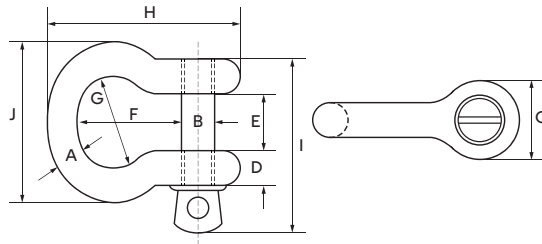
| DIN | To suit IWRC | To Suit FC | Slingco Part No. |
|------|--------------|------------|------------------|
| 1.0 | 1.0 mm | | FCA1349 |
| 1.5 | 1.5 mm | | FCA0115 |
| 2.0 | 1.5 mm | 2.0 mm | FCA0116 |
| 2.5 | 2.0 mm | 2.5 mm | FCA0117 |
| 3.0 | 2.5 mm | 3.0 mm | FCA0118 |
| 3.5 | 3.0 mm | | FCA0130 |
| 4.0 | | 4.0 mm | FCA0119 |
| 4.5 | 4.0 mm | | FCA0773 |
| 5.0 | 4.5 mm | 5.0 mm | FCA0120 |
| 6.0 | 5.0 mm | 6.0 mm | FCA0121 |
| 6.5 | 6.0 mm | | FCA08871 |
| 7.0 | | 7.0 mm | FCA0132 |
| 8.0 | 7.0 mm | 8.0 mm | FCA0122 |
| 9.0 | 8.0 mm | 9.0 mm | FCA0123 |
| 10.0 | 9.0 mm | 10.0 mm | FCA0124 |
| 11.0 | 10.0 mm | 11.0 mm | FCA0125 |
| 12.0 | 11.0 mm | 12.0 mm | FCA0133 |

COPPER FERRULES TO DIN SPECIFICATION



| DIN | To suit IWRC | Slingco Part No. |
|-----|--------------|------------------|
| 1.0 | 1.0 mm | FCU08872 |
| 1.5 | 1.5 mm | FCU08873 |
| 2.0 | 1.5 mm | FCU08874 |
| 2.5 | 2.0 mm | FCU3122 |
| 3.0 | 2.5 mm | FCU08875 |
| 3.5 | 3.0 mm | FCU0113 |
| 4.5 | 4.0 mm | FCU08876 |
| 6.0 | 5.0 mm | FCU08877 |
| 6.5 | 6.0 mm | FCU08878 |

GREEN PIN STANDARD BOW SHACKLES G-4161



With screw collar pin.

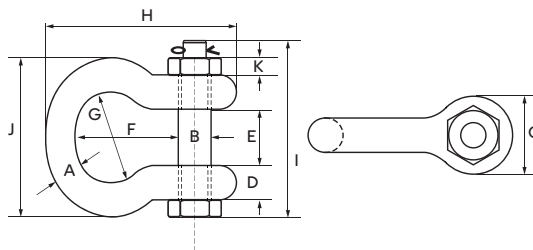
Material: Body and pin high tensile steel. Grade 6, quenched and tempered

Finish: Hot dipped galvanised

Safety factor: MBL equals 6 x WLL

| WLL (tons) | Bow dia A (mm) | Pin dia B (mm) | Eye dia C (mm) | Eye width D (mm) | Inside width E (mm) | Inside length F (mm) | Bow width G (mm) | Length H (mm) | Bow length I (mm) | Bow width J (mm) | Slingco Part No. |
|------------|----------------|----------------|----------------|------------------|---------------------|----------------------|------------------|---------------|-------------------|------------------|------------------|
| 0.33 | 5 | 6 | 12 | 5 | 9.5 | 22 | 16 | 36 | 29.5 | 26 | SHD08915 |
| 0.5 | 7 | 8 | 16.5 | 7 | 12 | 29 | 20 | 48.5 | 38 | 34 | SHD08916 |
| 0.75 | 9 | 10 | 20 | 9 | 13.5 | 32 | 22 | 56 | 46.5 | 40 | SHD08917 |
| 1 | 10 | 11 | 22.5 | 10 | 17 | 36.5 | 26 | 63.5 | 54 | 46 | SHD08918 |
| 1.5 | 11 | 13 | 26.5 | 11 | 19 | 43 | 29 | 74 | 59.5 | 51 | SHD08919 |
| 2 | 13.5 | 16 | 34 | 13 | 22 | 51 | 32 | 89 | 73 | 58 | SHD08920 |
| 3.25 | 16 | 19 | 40 | 16 | 27 | 64 | 43 | 110 | 89 | 75 | SHD08921 |
| 4.75 | 19 | 22 | 46 | 19 | 31 | 76 | 51 | 129 | 103 | 89 | SHD08922 |
| 6.5 | 22 | 25 | 52 | 22 | 36 | 83 | 58 | 144 | 119 | 102 | SHD08923 |
| 8.5 | 25 | 28 | 59 | 25 | 43 | 95 | 68 | 164 | 137 | 118 | SHD08924 |
| 9.5 | 28 | 32 | 66 | 28 | 47 | 108 | 75 | 185 | 153 | 131 | SHD08925 |
| 12 | 32 | 35 | 72 | 32 | 51 | 115 | 83 | 201 | 170 | 147 | SHD08926 |
| 13.5 | 35 | 38 | 80 | 35 | 57 | 133 | 92 | 227 | 186 | 162 | SHD08927 |
| 17 | 38 | 42 | 88 | 38 | 60 | 146 | 99 | 249 | 203 | 175 | SHD08928 |
| 25 | 45 | 50 | 103 | 45 | 74 | 178 | 126 | 300 | 243 | 216 | SHD08929 |
| 35 | 50 | 57 | 111 | 50 | 83 | 197 | 138 | 331 | 272 | 238 | SHD08930 |
| 42.5 | 57 | 65 | 130 | 57 | 95 | 222 | 160 | 377 | 310 | 274 | SHD08931 |
| 55 | 65 | 70 | 145 | 65 | 105 | 260 | 185 | 433 | 344 | 310 | SHD08932 |

GREEN PIN STANDARD BOW SHACKLES G-4163



With safety bolt.

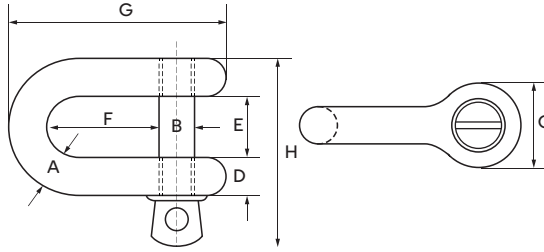
Material: Body and pin high tensile steel. Grade 6, quenched and tempered

Finish: Hot dipped galvanised

Safety Factor: MBL equals 6 x WLL

| WLL (tons) | Bow dia A (mm) | Pin dia B (mm) | Eye dia C (mm) | Eye width D (mm) | Inside width E (mm) | Inside length F (mm) | Bow width G (mm) | Length H (mm) | Bow length I (mm) | Bow width J (mm) | Width K (mm) | Slingco Part No. |
|------------|----------------|----------------|----------------|------------------|---------------------|----------------------|------------------|---------------|-------------------|------------------|--------------|------------------|
| 0.5 | 7 | 8 | 16.5 | 7 | 12 | 29 | 20 | 48.5 | 42 | 34 | 4 | SHD08933 |
| 0.75 | 9 | 10 | 20 | 9 | 13.5 | 32 | 22 | 56 | 50 | 40 | 5 | SHD08934 |
| 1 | 10 | 11 | 22.5 | 10 | 17 | 36.5 | 26 | 63.5 | 60 | 46 | 8 | SHD08935 |
| 1.5 | 11 | 13 | 26.5 | 11 | 19 | 43 | 29 | 74 | 67 | 51 | 11 | SHD08936 |
| 2 | 13.5 | 16 | 34 | 13 | 22 | 51 | 32 | 89 | 82 | 58 | 13 | SHD08937 |
| 3.25 | 16 | 19 | 40 | 16 | 27 | 64 | 43 | 110 | 98 | 75 | 17 | SHD08938 |
| 4.75 | 19 | 22 | 46 | 19 | 31 | 76 | 51 | 129 | 114 | 89 | 19 | SHD08939 |
| 6.5 | 22 | 25 | 52 | 22 | 36 | 83 | 58 | 144 | 130 | 102 | 22 | SHD08940 |
| 8.5 | 25 | 28 | 59 | 25 | 43 | 95 | 68 | 164 | 150 | 118 | 25 | SHD08941 |
| 9.5 | 28 | 32 | 66 | 28 | 47 | 108 | 75 | 185 | 166 | 131 | 27 | SHD08942 |
| 12 | 32 | 35 | 72 | 32 | 51 | 115 | 83 | 201 | 178 | 147 | 30 | SHD08943 |
| 13.5 | 35 | 38 | 80 | 35 | 57 | 133 | 92 | 227 | 197 | 162 | 33 | SHD08944 |
| 17 | 38 | 42 | 88 | 38 | 60 | 146 | 99 | 249 | 202 | 175 | 19 | SHD08945 |
| 25 | 45 | 50 | 103 | 45 | 74 | 178 | 126 | 300 | 249 | 216 | 23 | SHD08946 |
| 35 | 50 | 57 | 111 | 50 | 83 | 197 | 138 | 331 | 269 | 238 | 26 | SHD08947 |
| 42.5 | 57 | 65 | 130 | 57 | 95 | 222 | 160 | 377 | 301 | 274 | 29 | SHD08948 |
| 55 | 65 | 70 | 145 | 65 | 105 | 260 | 185 | 433 | 330 | 310 | 32 | SHD08949 |
| 85 | 75 | 83 | 162 | 73 | 127 | 329 | 190 | 527 | 380 | 340 | 39 | SHD11266 |

GREEN PIN STANDARD DEE SHACKLES G-4151



With screw collar pin.

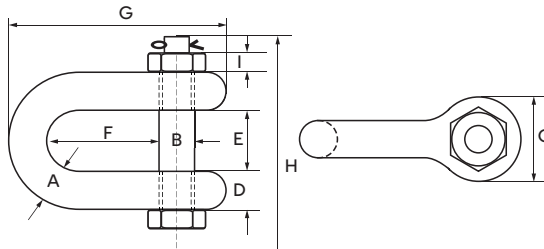
Material: Body and pin high tensile steel. Grade 6, quenched and tempered

Finish: Hot dipped galvanised

Safety Factor: MBL equals 6 x WLL

| WLL (tons) | Bow dia A (mm) | Pin dia B (mm) | Eye dia C (mm) | Eye width D (mm) | Inside width E (mm) | Inside length F (mm) | Length G (mm) | Bolt length H (mm) | Slingco Part No. |
|------------|----------------|----------------|----------------|------------------|---------------------|----------------------|---------------|--------------------|------------------|
| 0.33 | 5 | 6 | 12 | 5 | 9.5 | 19 | 33 | 29.5 | SHD11267 |
| 0.5 | 7 | 8 | 16.5 | 7 | 12 | 22 | 41.5 | 38 | SHD08951 |
| 0.75 | 9 | 10 | 20 | 9 | 13.5 | 26 | 50 | 46.5 | SHD08952 |
| 1 | 10 | 11 | 22.5 | 10 | 17 | 32 | 59 | 54 | SHD08953 |
| 1.5 | 11 | 13 | 26.5 | 11 | 19 | 37 | 68 | 59.35 | SHD08954 |
| 2 | 13.5 | 16 | 34 | 13 | 22 | 43 | 81 | 73 | SHD08955 |
| 3.25 | 16 | 19 | 40 | 16 | 27 | 51 | 97 | 89 | SHD08956 |
| 4.75 | 19 | 22 | 46 | 19 | 31 | 59 | 112 | 103 | SHD08957 |
| 6.5 | 22 | 25 | 52 | 22 | 36 | 73 | 134 | 119 | SHD08958 |
| 8.5 | 25 | 28 | 59 | 25 | 43 | 85 | 154 | 137 | SHD08959 |
| 9.5 | 28 | 32 | 66 | 28 | 47 | 90 | 167 | 153 | SHD08960 |
| 12 | 32 | 35 | 72 | 32 | 51 | 94 | 180 | 170 | SHD08961 |
| 13.5 | 35 | 38 | 80 | 35 | 57 | 115 | 209 | 186 | SHD08962 |
| 17 | 38 | 42 | 88 | 38 | 60 | 127 | 230 | 203 | SHD08963 |
| 25 | 45 | 50 | 103 | 45 | 74 | 149 | 271 | 243 | SHD08964 |
| 35 | 50 | 57 | 111 | 50 | 83 | 171 | 305 | 272 | SHD08965 |
| 42.5 | 57 | 65 | 130 | 57 | 95 | 190 | 345 | 310 | SHD08966 |
| 55 | 65 | 70 | 145 | 65 | 105 | 203 | 376 | 344 | SHD11268 |

GREEN PIN STANDARD DEE SHACKLES G-4153



With safety bolt.

Material: Body and pin high tensile steel. Grade 6, quenched and tempered

Finish: Hot dipped galvanised

Safety Factor: MBL equals 6 x WLL

| WLL (tons) | Bow dia A (mm) | Pin dia B (mm) | Eye dia C (mm) | Eye width D (mm) | Inside width E (mm) | Inside length F (mm) | Length G (mm) | Bolt length H (mm) | Nut width I (mm) | Slingco Part No. |
|------------|----------------|----------------|----------------|------------------|---------------------|----------------------|---------------|--------------------|------------------|------------------|
| 2 | 13.5 | 16 | 34 | 13 | 22 | 43 | 81 | 82 | 13 | SHD11269 |
| 3.25 | 16 | 19 | 40 | 16 | 27 | 51 | 97 | 98 | 17 | SHD08968 |
| 4.75 | 19 | 22 | 46 | 19 | 31 | 59 | 112 | 114 | 19 | SHD08969 |
| 6.5 | 22 | 25 | 52 | 22 | 36 | 73 | 134 | 130 | 22 | SHD08970 |
| 8.5 | 25 | 28 | 59 | 25 | 43 | 85 | 154 | 150 | 25 | SHD08971 |
| 9.5 | 28 | 32 | 66 | 28 | 47 | 90 | 167 | 166 | 27 | SHD08972 |
| 12 | 32 | 35 | 72 | 32 | 51 | 94 | 180 | 178 | 30 | SHD08973 |
| 13.5 | 35 | 38 | 80 | 35 | 57 | 115 | 209 | 197 | 33 | SHD08974 |
| 17 | 38 | 42 | 88 | 38 | 60 | 127 | 230 | 202 | 19 | SHD08975 |
| 25 | 45 | 50 | 103 | 45 | 74 | 149 | 271 | 249 | 23 | SHD08976 |
| 35 | 50 | 57 | 111 | 50 | 83 | 171 | 305 | 269 | 26 | SHD08977 |
| 42.5 | 57 | 65 | 130 | 57 | 95 | 190 | 345 | 301 | 29 | SHD08978 |
| 55 | 65 | 70 | 145 | 65 | 105 | 203 | 376 | 330 | 32 | SHD08979 |
| 85 | 75 | 83 | 162 | 73 | 127 | 229 | 427 | 380 | 39 | SHD08980 |

LIFTING LOOPS

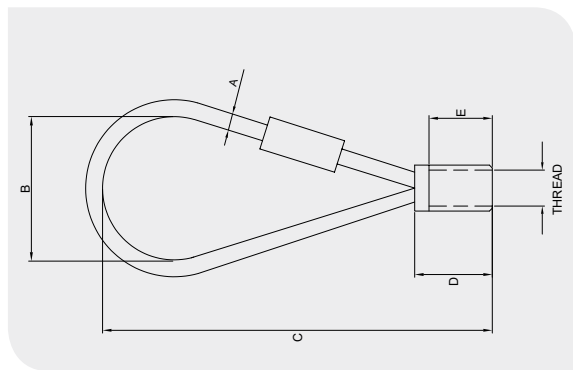
Lifting loops and sockets are interrelated lifting components which are used in the pre-cast concrete structure manufacturing and building industries to aid transportation and placement of structural components conveniently and safely.

Designed for long life, Slingco lifting loops are manufactured from wire rope clinched firmly into an externally threaded (standard ISO/DIN metric or metric round form thread) steel ferrule which mates on application with a permanently inserted steel socket of the same thread form and size.

The recommended safe working load (SWL) is normally based on a 5 to 1 factor of safety of the wire rope minimum break loading, as per BS1290:1983. By arrangement, a 6 to 1 factor of safety can be offered on metric round form (Rd) type loops.

Proof loading to 2 x (SWL) for the application is the normal practice. A test certificate is issued which can be easily referenced by an attached identification tag.

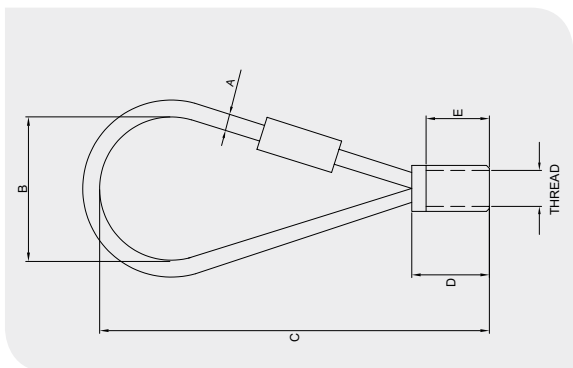
LIFTING LOOP - STANDARD ISO METRIC COARSE THREAD



Safety factor 5/1.

| Size (mm) | Pitch (mm) | Safe working load (kN) | Rope dia A (mm) | Loop dia B (mm) | Overall length C (mm) | Ferrule length D (mm) | Thread length E (mm) | Slingco Part No. |
|-----------|------------|------------------------|-----------------|-----------------|-----------------------|-----------------------|----------------------|------------------|
| M12 | 1.75 | 5 | 6 | 50 | 155 | 27 | 22 | ZLL0777 |
| M16 | 2.00 | 12 | 8 | 50 | 155 | 36 | 27 | ZLL0778 |
| M20 | 2.50 | 20 | 10 | 70 | 215 | 45 | 35 | ZLL0779 |
| M24 | 3.00 | 25 | 11 | 95 | 255 | 54 | 43 | ZLL0780 |
| M30 | 3.50 | 40 | 14 | 130 | 303 | 68 | 56 | ZLL0781 |
| M36 | 4.00 | 63 | 16 | 150 | 340 | 81 | 68 | ZLL0782 |
| M42 | 4.50 | 80 | 20 | 180 | 425 | 95 | 80 | ZLL0783 |

LIFTING LOOP - METRIC COARSE (ROUND FORM) KNUCKLE THREAD



Safety factor 6/1.

| Size (mm) | Pitch (mm) | Safe working load (kN) | Rope dia A (mm) | Loop dia B (mm) | Overall length C (mm) | Ferrule length D (mm) | Thread length E (mm) | Slingco Part No. |
|-----------|------------|------------------------|-----------------|-----------------|-----------------------|-----------------------|----------------------|------------------|
| M12 | 1.75 | 5 | 6 | 50 | 156 | 27 | 22 | ZLL3363 |
| M16 | 2.00 | 12 | 8 | 50 | 156 | 36 | 27 | ZLL3364 |
| M20 | 2.50 | 20 | 10 | 70 | 216 | 45 | 35 | ZLL3365 |
| M24 | 3.00 | 25 | 12 | 95 | 256 | 54 | 43 | ZLL3366 |
| M30 | 3.50 | 40 | 14 | 130 | 302 | 68 | 56 | ZLL3367 |
| M36 | 4.00 | 63 | 18 | 150 | 342 | 81 | 68 | ZLL3368 |
| M42 | 4.50 | 80 | 20 | 180 | 426 | 95 | 80 | ZLL3369 |

WEBBING SLINGS





We supply a wide range of web slings that range from 30mm to 300mm wide.

We can also manufacture to your specifications: for example, multi leg web slings, basket slings and slings with metal end fittings.

They can lift from 500 kg up to 12,000 kg . We can also create specials to suit your requirements which can lift up to 24,000 kg.

The slings are made to suit your length requirements and are mostly used for general lifting purposes, and are manufactured to BSEN 1492-1:2000.



| Width | Colour |  Vertical Tonnes |  Choked x 0.8 Tonnes |  Basket x 2 tonnes |  Basket x 1.4 (0-90) Tonnes |
|-----------|--------|---|---|---|--|
| 30mm | White | 0.5 | 0.4 | 1 | 0.7 |
| 30/50mm | Violet | 1 | 0.8 | 2 | 1.4 |
| 75mm | White | 1.5 | 1.2 | 3 | 2.1 |
| 60/100mm | Green | 2 | 1.6 | 4 | 2.8 |
| 90/150mm | Yellow | 3 | 2.4 | 6 | 4.2 |
| 100/200mm | Grey | 4 | 3.2 | 8 | 5.6 |
| 125/250mm | Red | 5 | 4 | 10 | 7 |
| 150/300mm | Brown | 6 | 4.8 | 12 | 8.4 |
| 200mm | Blue | 8 | 6.4 | 16 | 11.2 |
| 250mm | Orange | 10 | 8 | 20 | 14 |
| 300mm | Orange | 12 | 9.6 | 24 | 16.8 |





ROUND SLINGS

The Round Slings are made from 1 tonne to 12 tonne from 0.5 metre to 15 metre effective working length, and are manufactured to BSEN 1492-2:2000.

Higher tonnages are available on request.

All slings are coloured coded to European Standard. They also with have line indents on the sleeving to indicate capacity.



| Colour |  Vertical Tonnes |  Choked x 0.8 Tonnes |  Basket x 2 tonnes |  Basket x 1.4 (0-90) Tonnes |
|--------|---|---|---|--|
| Green | 2 | 1.6 | 4 | 2.8 |
| Yellow | 3 | 2.4 | 6 | 4.2 |
| Grey | 4 | 3.2 | 8 | 5.6 |
| Red | 5 | 4 | 10 | 7 |
| Brown | 6 | 4.8 | 12 | 8.4 |
| Blue | 5 | 4 | 10 | 7 |
| Orange | 10 | 8 | 20 | 14 |
| Orange | 12 | 9.6 | 24 | 16.8 |

POLYPLAIT SLINGS

The combination of steel wire rope interlaced with a specially manufactured polypropylene rope cord provides the Slingco polyplait wire rope sling with its unique qualities.

- No other wire rope sling is as flexible as the polyplait - 5x more flexible than conventional wire rope slings
- Should the poly rope become cut, this in no way weakens the sling as it's the steel wire rope that provides the strength

Polyplait slings can be fitted with a special polyester cover which provides further protection to the sling and the item being lifted. This prolongs the durability - and hence lifespan - of the sling even when used in the most arduous conditions.

Polyplait slings are a premium product, but with considered application in problem areas users can achieve remarkable savings over time.

Strength is achieved by the interlaced wire rope construction. the ends of the wires terminate inside the FSE splice, leaving no protruding wires to tear hands or damage cargoes.

Cushioning is the special feature of this versatile sling. Polypropylene rope is interwoven into the wire mesh in such a way that the polypropylene stands proud of the wires.

Flexibility is guaranteed by the wire rope weave of the sling.

Cost savings If and when the polypropylene rope wears, slings can be returned to Slingco for 're-ropeing', avoiding the need to purchase completely new slings.



| Chole Lift (single suspension) (kg) | Basket Lift SWL at 0° -90° (kg) | Slingco Part No. |
|-------------------------------------|---------------------------------|------------------|
| PP1 | 1000 | 1380 |
| PP2 | 2000 | 2780 |

WIRE ROPE SLINGS

We manufacture wire rope slings to customer specifications, with soft eye or thimble eye fittings.

Our slings are made to BS464, in diameters from 1mm to 32mm in either galvanised or stainless steel wire rope, with lifting capacity ranging from 1,000kg to 30,000kg depending on requirement.





From lifting hardware, blocks and tools to lifting loops and sockets, from tail lift spares to winch ropes, from control cables to canopy supports, Slingco really does have it all.

Whatever your industry, whether you're looking for a simple wire rope sling or a complete rigging system, we offer literally thousands of products for fast delivery.

Our cables are found in everything from the humblest of Jib cranes to brand new military fighter aircraft. All have the same common qualities: exceptional raw materials, cutting edge design and the industry's best people. The result is a product that - whatever the application - you can trust to perform.



IMPORTANT TECHNICAL INFORMATION

SINGLE AND DOUBLE EYE CABLE GRIP INSTRUCTIONS

PLEASE NOTE: The condition of the cable grip should always be checked prior to use. The correct size of grip should always be used for the intended application. The rated capacity of the grip should never be exceeded. Grips that are worn, bent or otherwise damaged should not be used.



1 Select the correct grip for the diameter of the conductor.



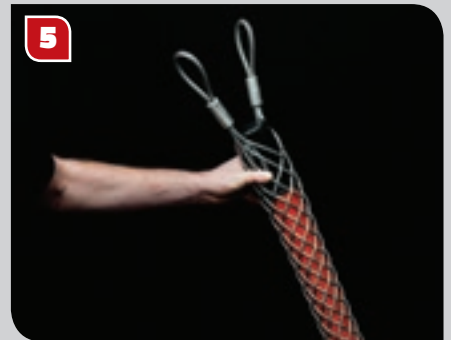
2 Prior to use, the lattice at the end of the grip needs to be widened. This can be easily achieved by pressing the end of the grip against a hard surface, which causes the lattice to expand.



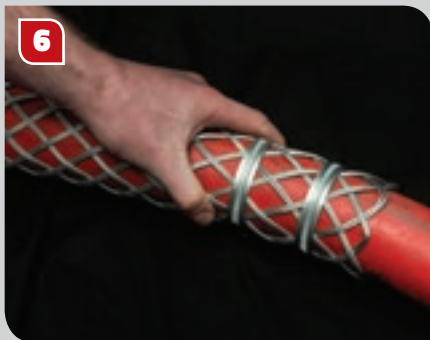
3 The grip should then be placed over the end of the conductor...



4 ...and pushed over the conductor.



5 The grip then needs to be pushed along so that all the lattice is in contact with the conductor.



6 Once the cable grip is in place on the conductor, two clamps should be fitted to the end of the grip (as shown). We recommend between 1 ¼" (30mm) and 2 ¼" (55mm) away from the end of the cable grip.



7 Tape should then be wound around the end of the cable grip furthest away from the eye ends.



8 This will prevent the cable grip from snagging when in use.

LACE UP CABLE GRIP INSTRUCTIONS

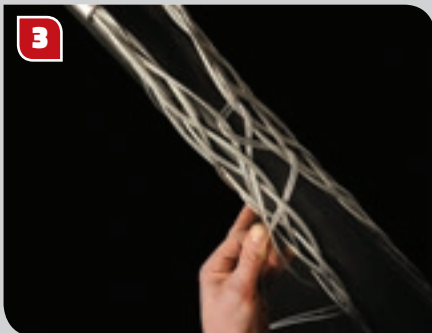
PLEASE NOTE: The images shown here use double weave cable grips. When lacing single weave cable grips please use single wire lace; use double-laced for double weave cable grips; and use triple-laced for triple weave cable grips.



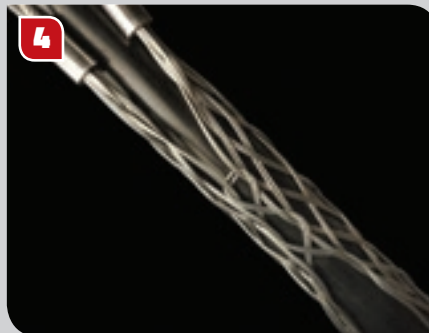
1 Start the lacing from the 'eye' end or anchoring end of the cable grip.



2 Thread the lace through the first two loops of the split and pull through until the laces are centered at this point.



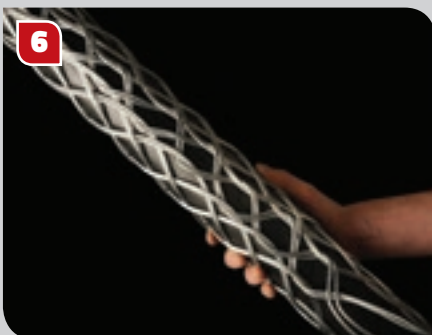
3 Don't pull the lace too tight at this stage. Leave a space between adjoining loops roughly equal to the width of one diamond of the mesh.



4 Continue down the length of the cable grip. Try to maintain equal tension and equal spacing throughout as this leads to a more stable and equal grip.



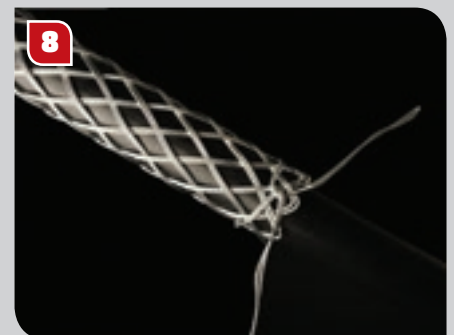
5 As you continue down the length, pull the open sides of the grip as wide apart as required.



6 Try to achieve an even and neat lace-up as this assists with the strength of the grip when pulling.



7 Finally, tie the ends of the lace once or twice round the end of the cable grip twisting the ends together securely. Excess lace can be cut off.



8 Add any additional support as required – banding is recommended. The Slingco cable grip is now ready to use.

CABLE PULLING GRIPS AND CABLE SUPPORT GRIPS

ASSESSMENT OF SUITABILITY

There are many factors that must be taken into account when assessing the suitability of a cable grip for a proposed application and trying to calculate a safe working load. These include:

- Size of cable grip in relation to size/ shape of gripped object(s)
- Stability of object(s) when gripped
- Grip surface of object(s)
- Resistive force of object(s)
- Anticipated path of movement, including possible obstructions
- Approximate breaking strength of the cable grip
- Condition of cable grip
- Suitability and compatibility of any attachments used
- Environment / operating conditions
- Persons at risk

If you have any questions regarding suitability for any particular application please call the distributor who supplied the cable grip or our in-house Technical Department.

Please note: Slingco cable grips must be double steel banded securely before being pulled.

LATTICE DIMENSIONS

Lattice dimensions shown are as fitted to a nominal diameter of cable and prior 'free length' may be slightly longer than stated.

APPROXIMATE BREAK LOAD

This is the calculated average based on actual testing done by Slingco. Approximate break loads are quoted as a guide only.

SAFE WORKING LOAD

Application load is normally calculated to be reduced by at least a factor of 5x the Approximate break load. Due to the wide variety of application parameters, the end user must apply a sensible safety factor to suit the safety requirements for the conditions of use.

The Safe Working Load (SWL) of a Slingco cable grip will depend on the Factor of Safety (FOS) applied to the Minimum Breaking Load.

FACTOR OF SAFETY (FOS)

Where the operational risk is considered to be normal, it is recommended that a FOS of 5 be applied, for a high risk operation a FOS of at least 10 should be considered. It is impossible to catalogue or guarantee a safety factor that will apply for all applications.

Approximate Break Loads stated on any certification, the recommended Factors of Safety, and any implied or stated fitness for purpose, are all only applicable when the cable grip is as new and unused.

A 20% variance in break loads must be allowed for when selecting a cable grip; a suitable swivel must be used if there is 'twist' in the cable.

Torsional stress must be dealt with when using grips for line pulls and wire splices. When twisting forces are present use a swivel that rotates under load to release torsional stress.

Cable Grip Safety Information

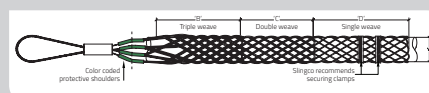
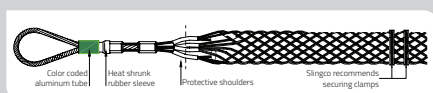
- Ensure that the cable grip mesh fits conductor correctly
- Ensure that the conductor fits up to the mid-point of the protective shoulder
- Clamp the ends of the cable grip when attaching the conductor. We recommend between 1¼" and 2¼" from the end of the cable grips
- SECURE CLAMPING MUST BE USED ON SLINGCO CABLE GRIPS
- Never modify or attempt to repair any grip
- Ensure proper maintenance of the cable grip. If in doubt call 01706 855558
- Check the condition of the cable grip, and that it is the correct size for the intended application - do not exceed the rated capacity
- Grips that are worn, bent or otherwise damaged should not be used
- Grips are only to be used for temporary installations
- Pulling devices should only be attached via the pulling eye
- Cable grips must only be fitted and used by trained competent person(s)



SLINGCO CABLE GRIPS MUST NOT BE USED TO THEIR APPROXIMATE BREAKING STRENGTH. A SENSIBLE SAFETY FACTOR MUST ALWAYS BE USED. IF IN DOUBT CONTACT THE MANUFACTURER OR THE DISTRIBUTOR THAT SUPPLIED THE GRIP!

If you have any questions regarding suitability for any particular application please call 01706 855558

TYPICAL CONFIGURATIONS







Slingco Limited

Station Road, Facit, Whitworth,
Lancashire, OL12 8LJ, England
Tel: +44 [0]1706 855558
Fax: +44 [0]1706 855559
sales@slingco.com

Slingco America, Inc.

130 Celtic Blvd, Tyrone,
Georgia, 30290, USA
TOLL FREE: 888 685 9478
Fax: 888 728 4047
sales@slingcoamerica.com

FOR ANY ENQUIRIES CALL TODAY ON
+44 [0]1706 855558



www.slingco.com